

AREA STATEMENT		
SPACE	AREA (IN SQ.M)	AREA (IN SQ.FT)
BANKING AREA	67.87	730.55
STRONG ROOM	15.36	165.27
RECORD ROOM	4.68	50.36
DINING ROOM	6.56	70.59
UPS ROOM	4.84	52.08
ATM	6.11	65.7680
WASH	3.37	36.2747
TOTAL AREA	108.79	1170.58
TOILET AREA	4.50	48.42

ENARC CONSULTANTS
ARCHITECTS AND ENGINEERS
 M. G. Road, Thrissur - 1.
 Tel. : +91 (487) 2441901
 E-mail : office@enarc.net.in

PROPOSED INTERIOR FURNISHING
 FOR BANK OF BARODA,
 VALANCHERY

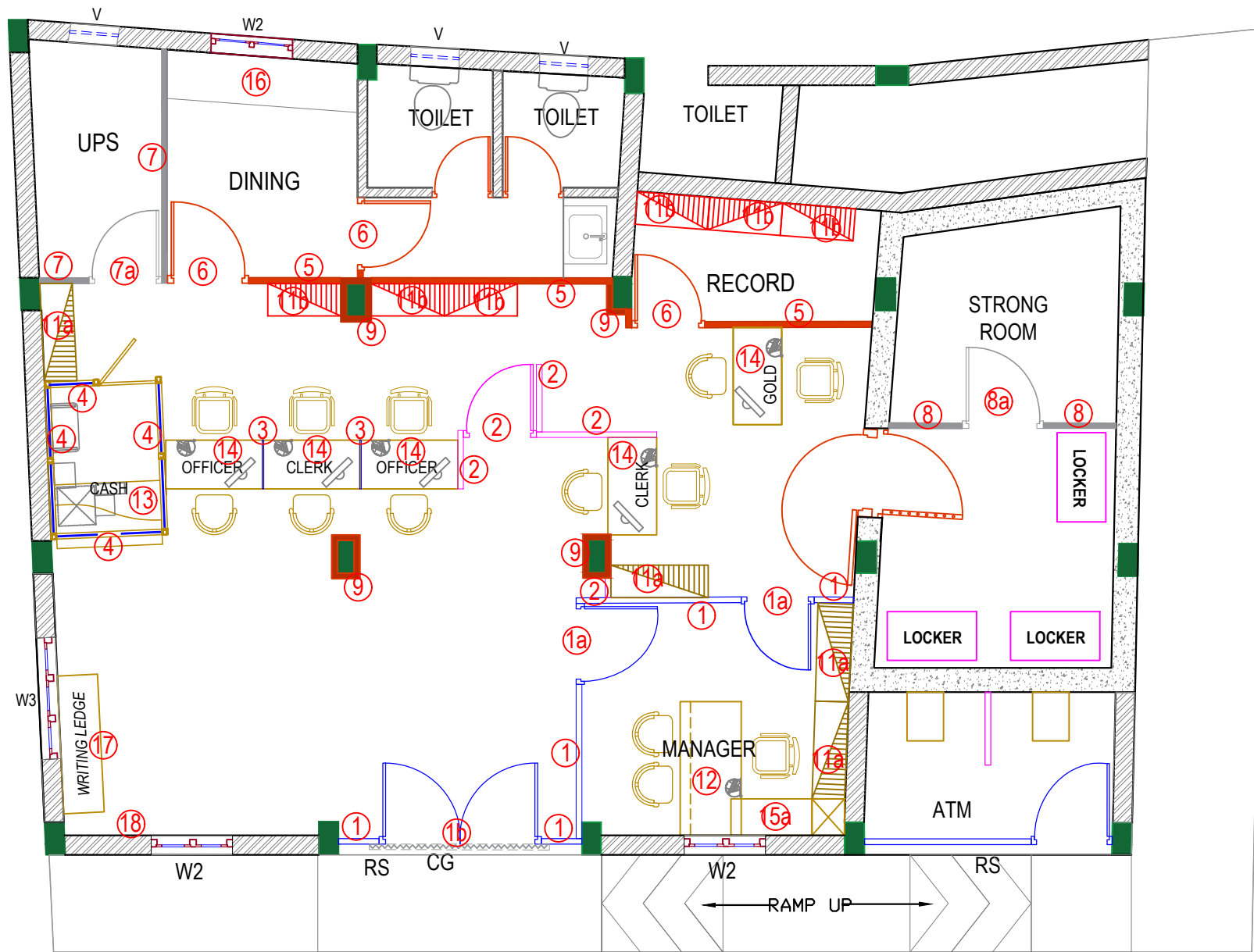
INTERIOR LAYOUT

- LEGEND**
- CUPBOARD 75 CM HEIGHT
 - CUPBOARD FULL HEIGHT
 - FULL GLAZED PARTITIONS
 - SOLID PARTITIONS
 - CASH COUNTER PARTITIONS (180 cm ht. Half glazed)
 - SEMI PARTITIONS (120 cm ht. Half glazed)
 - FIRE RATED CEMENT PARTITIONS

Drawn By RAGHI K R
 Architect
 Ar.Praveen.P
 B. Arch.[Reg], A.I.I.A, A.I.I.I.D

Chief Architect
 Ar. K. RAMAKRISHNAN
 B.Sc.(Engg), F.I.E, C. Eng (I),
 F.I.V, F.I.I.A. (Regd), A.I.I.I.D

Date : 08-01-2025
 Revision Date: 05-02-2025
 Drawing No: 01
 Scale : N T S
 All Dimensions are in CMs.



AREA STATEMENT		
SPACE	AREA (IN SQ.M)	AREA (IN SQ.FT)
BANKING AREA	67.87	730.55
STRONG ROOM	15.36	165.27
RECORD ROOM	4.68	50.36
DINING ROOM	6.56	70.59
UPS ROOM	4.84	52.08
ATM	6.11	65.7680
WASH	3.37	36.2747
TOTAL AREA	108.79	1170.58
TOILET AREA	4.50	48.42

ENARC CONSULTANTS
ARCHITECTS AND ENGINEERS

M. G. Road, Thrissur - 1.
Tel. : +91 (487) 2441901
E-mail : office@enarc.net.in

PROPOSED INTERIOR FURNISHING
FOR BANK OF BARODA,
VALANCHERY

ITEM NUMBER

LEGEND

- CUPBOARD 75 CM HEIGHT
- CUPBOARD FULL HEIGHT
- FULL GLAZED PARTITIONS
- SOLID PARTITIONS
- CASH COUNTER PARTITIONS (180 cm ht. Half glazed)
- SEMI PARTITIONS (120 cm ht. Half glazed)
- FIRE RATED CEMENT PARTITIONS

Drawn By RAGHI K R

Architect

Ar.Praveen.P
B. Arch.[Reg], A.I.I.A, A.I.I.I.D

Chief Architect

Ar. K. RAMAKRISHNAN
B.Sc.(Engg), F.I.E, C. Eng (I),
F.I.V, F.I.I.A. (Regd), A.I.I.I.D

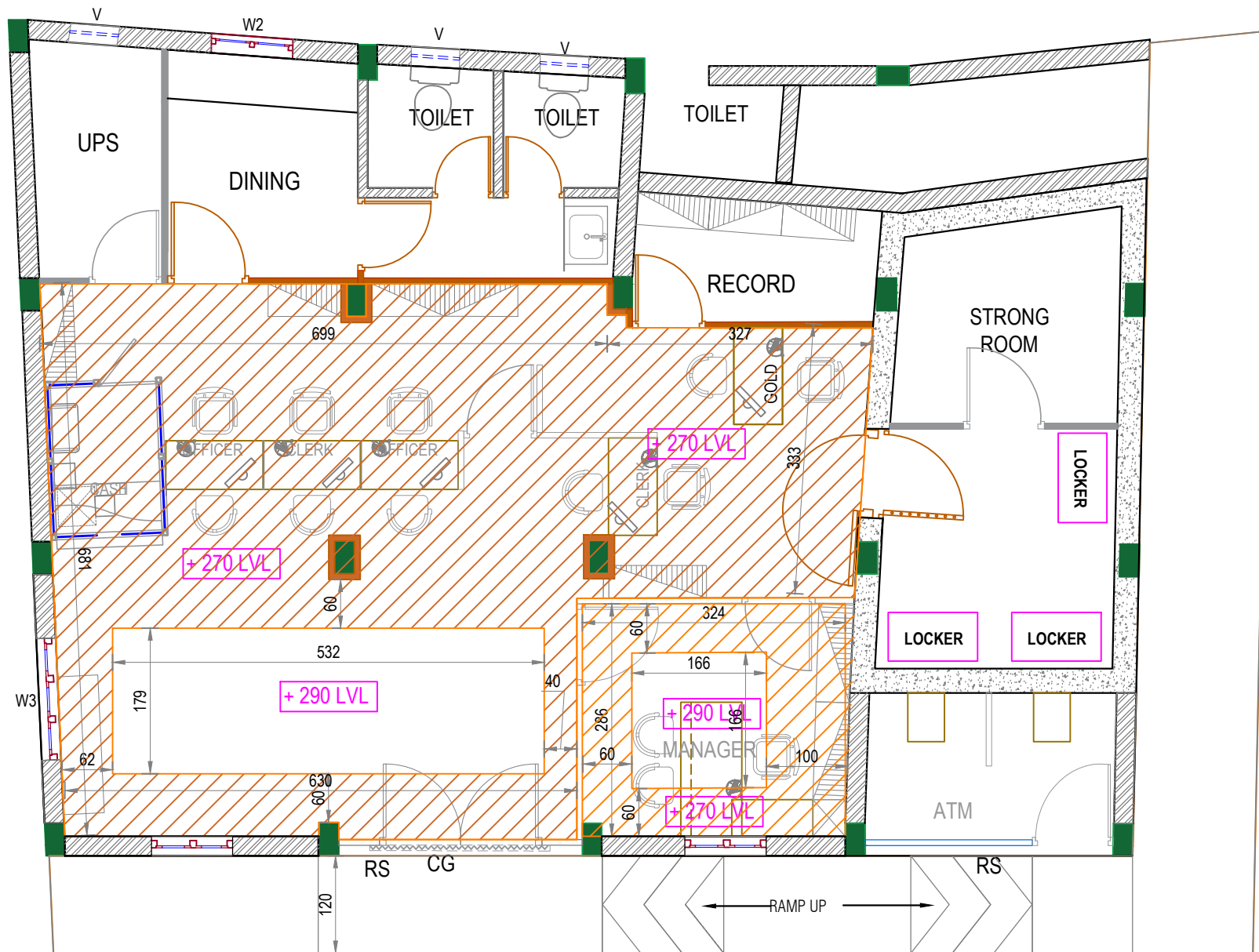
Date : 06-02-2025

Revision Date:

Drawing No: 02

Scale : N T S

All Dimensions are in CMs.



ENARC CONSULTANTS
ARCHITECTS AND ENGINEERS

M. G. Road, Thrissur - 1.
 Tel. : +91 (487) 2441901
 Fax : +91 (487) 2442011
 E-mail : office@enarc.net.in

PROPOSED INTERIOR FURNISHING
 FOR BANK OF BARODA,
 VALANCHERY

CEILING LAYOUT

Drawn By RAGHI K R

Architect

Ar.Praveen.P
 B. Arch.[Reg], A.I.I.A, A.I.I.I.D

Chief Architect

Ar. K. RAMAKRISHNAN
 B.Sc.(Engg), F.I.E, C. Eng (I),
 F.I.V, F.I.I.A. (Regd), A.I.I.I.D

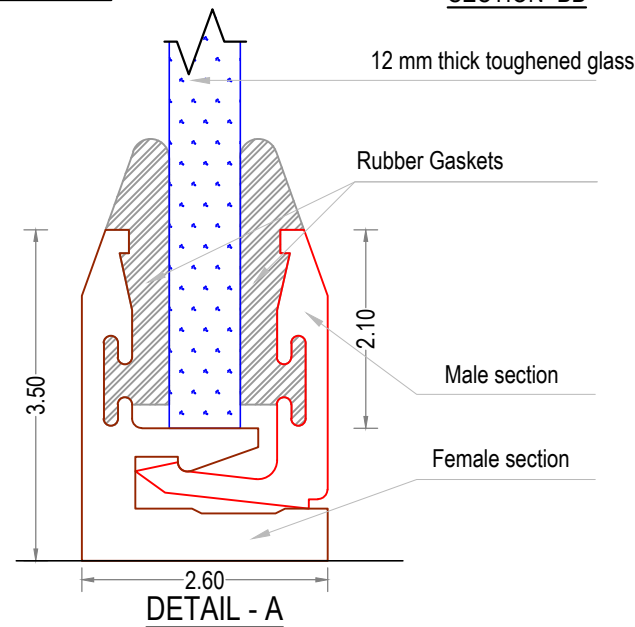
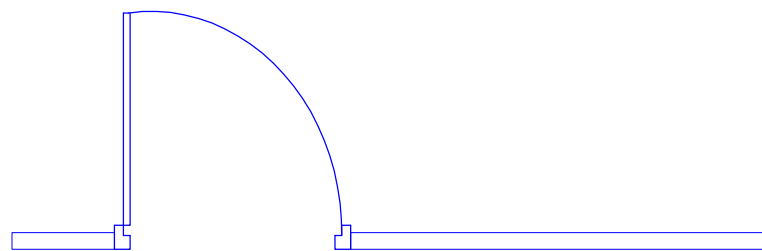
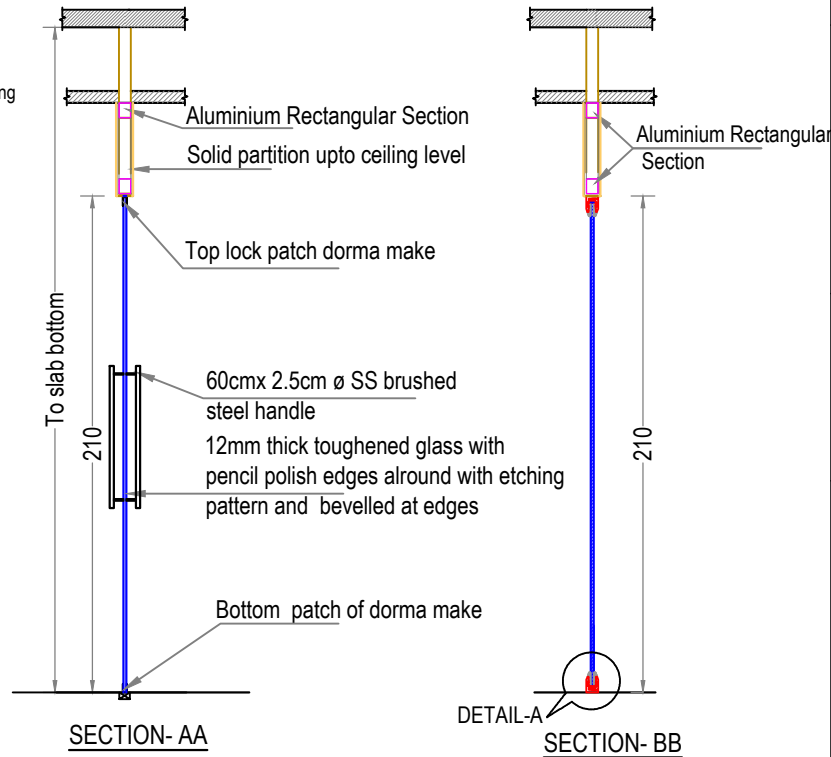
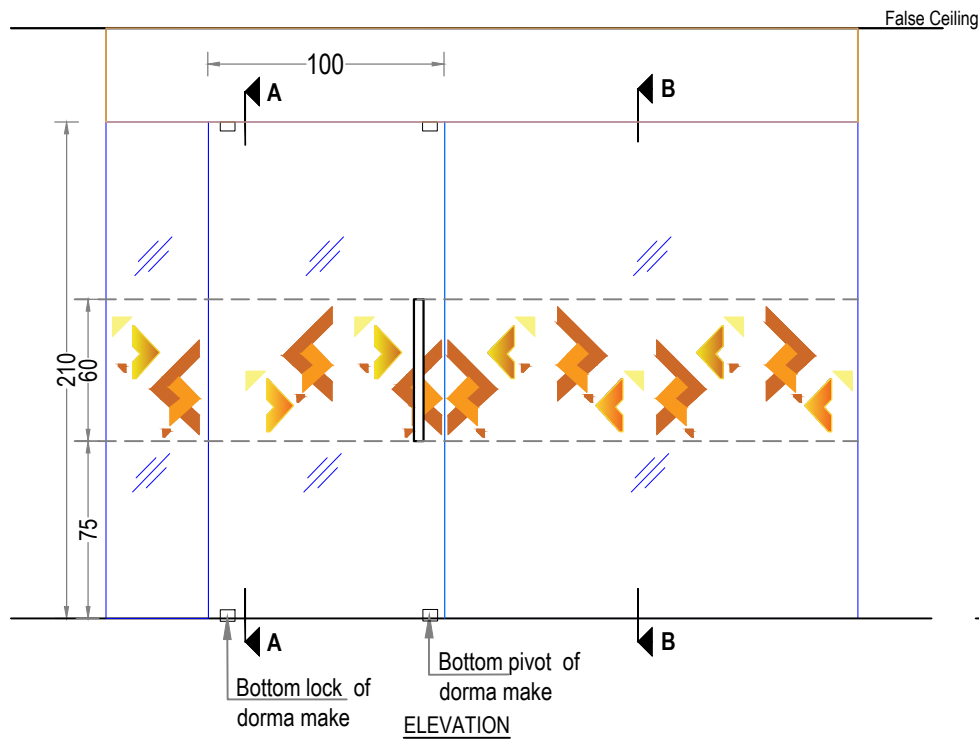
Date : 05-02-2025

Revision Date:

Drawing No: 03

Scale : N T S

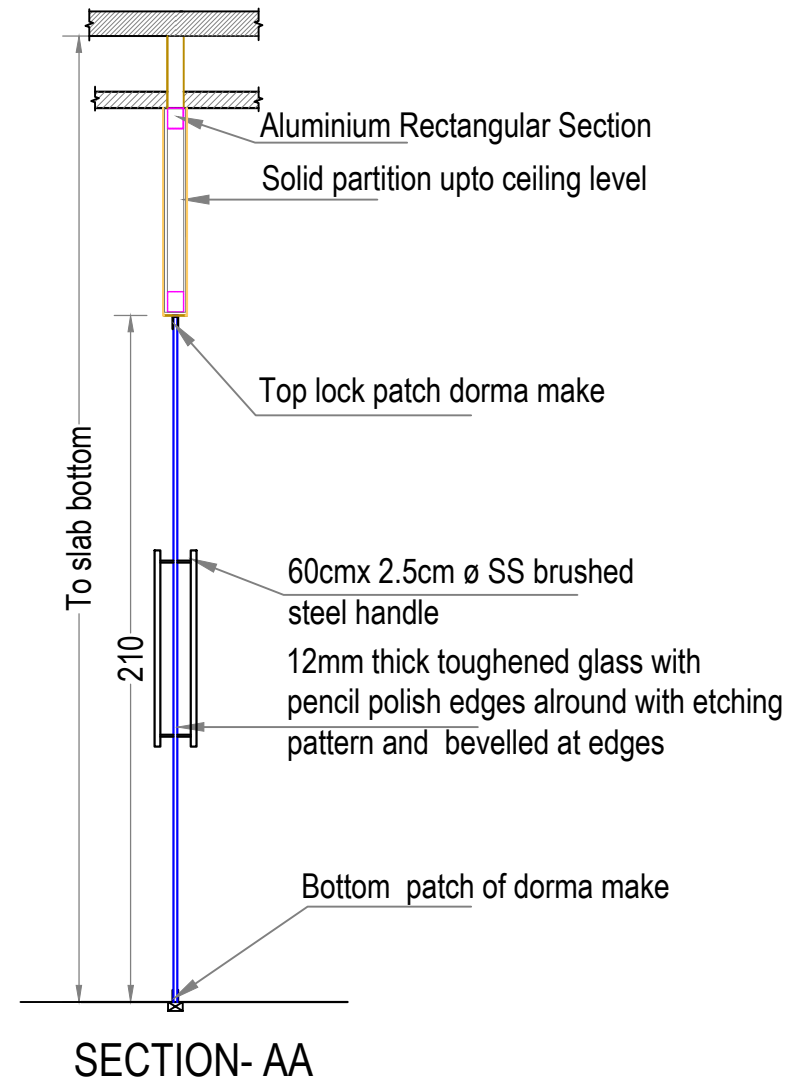
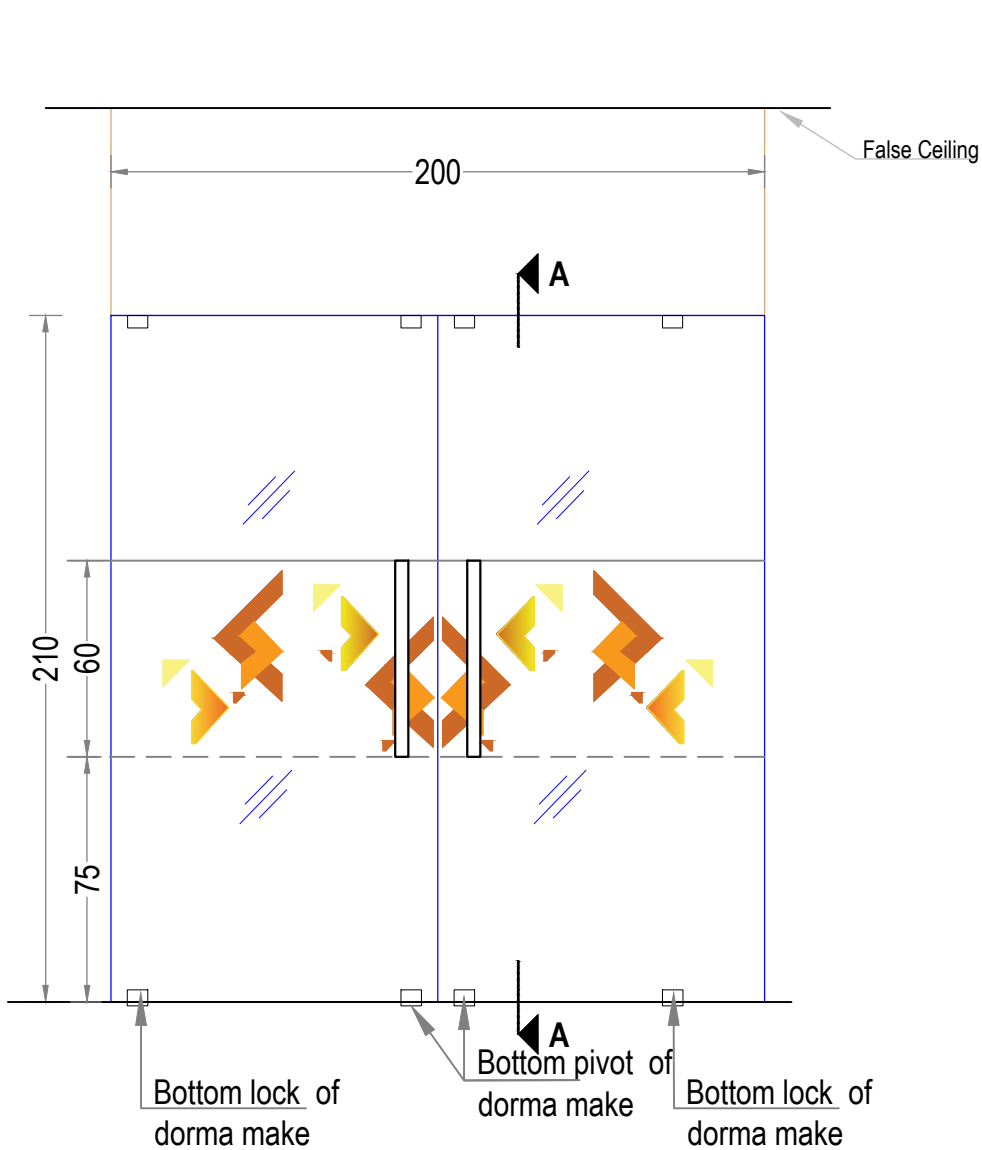
All Dimensions are in CMs.



**PROPOSED INTERIOR FURNISHING
 DETAILS FOR BANK OF BARODA,
 VALANCHERY BRANCH**

DETAILS OF :	ITEM NOS.
FULLY GLAZED PARTITION	1
FULLY GLAZED DOOR	1a

Drawn by	RAGHI K R
Architect	Ar.PRAVEEN.P B. Arch,[Regd], A.I.I.A, A.I.I.I.D
Chief Architect	Ar. K. RAMAKRISHNAN B.Sc.(Engg), M.I.E, C. Eng (I), F.I.V , F.I.I.A. (Regd), A.I.I.I.D
Date: 05-02-2025	Drawing No.
Revision Date:	Sheet No: 04
	Scale NTS
All Dimensions are in CMs.	



**PROPOSED INTERIOR FURNISHING
DETAILS FOR BANK OF BARODA,
VALANCHERY BRANCH**

DETAILS OF :	ITEM NOS.
1. FULLY GLAZED DOOR	1b

Drawn by	RAGHI K R
----------	-----------

Architect	Ar. PRAVEEN.P B. Arch,[Regd], A.I.I.A, A.I.I.I.D
-----------	---

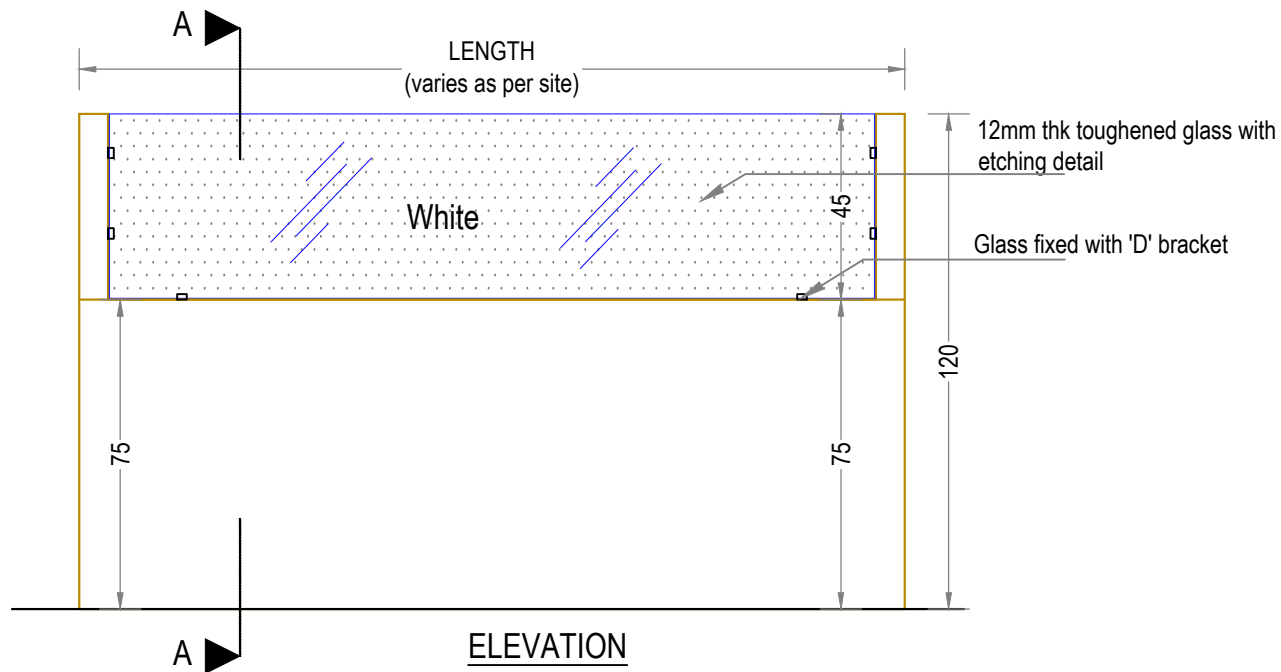
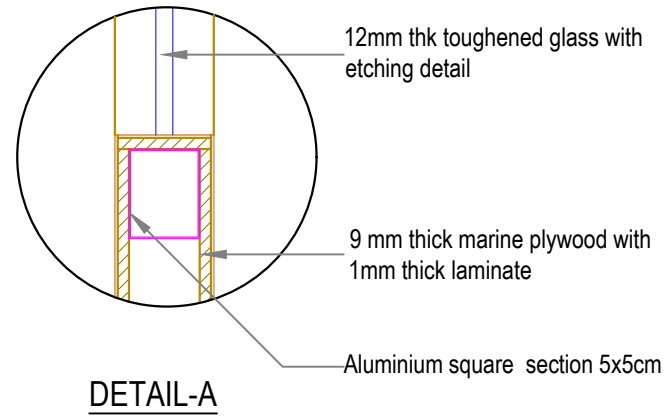
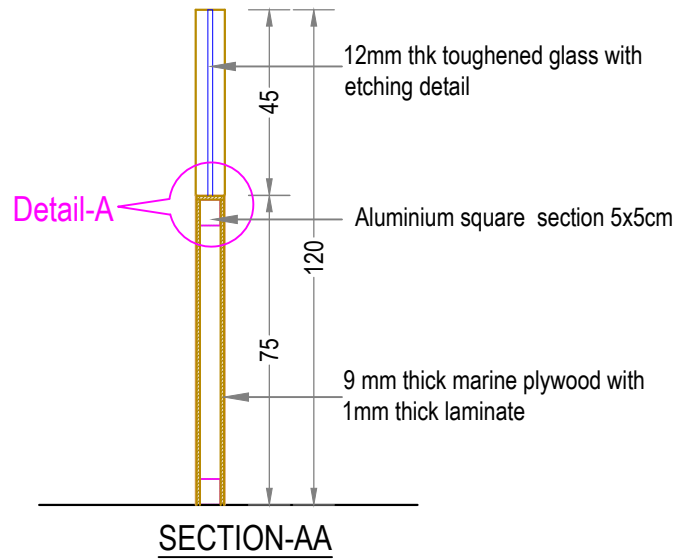
Chief Architect	Ar. K. RAMAKRISHNAN B.Sc.(Engg.), F.I.E, C.Eng(I), F.I.V.F.I.I.A.(Regd.), A.I.I.I.D
-----------------	---

Date: 05-02-2025	Drawing No.
------------------	-------------

Revision Date:	Sheet No : 05
----------------	---------------

Scale NTS

All Dimensions are in CMs.



**PROPOSED INTERIOR FURNISHING
DETAILS FOR BANK OF BARODA,
VALANCHERY BRANCH**

DETAILS OF : COUNTER PARTITION	ITEM NOS. 2
-----------------------------------	----------------

Drawn by	RAGHI K R
----------	-----------

Architect	Ar.PRAVEEN.P B. Arch,[Regd], A.I.I.A, A.I.I.I.D
-----------	--

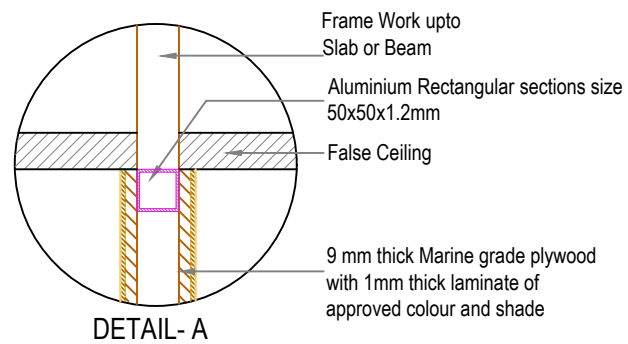
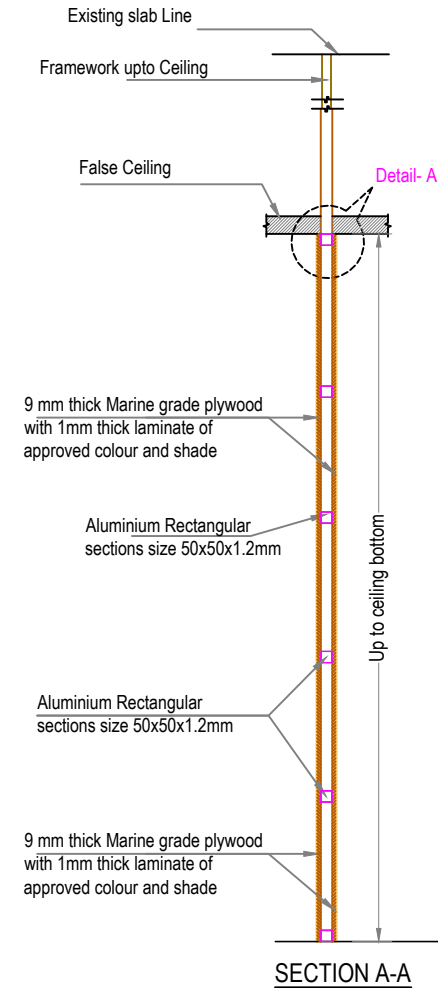
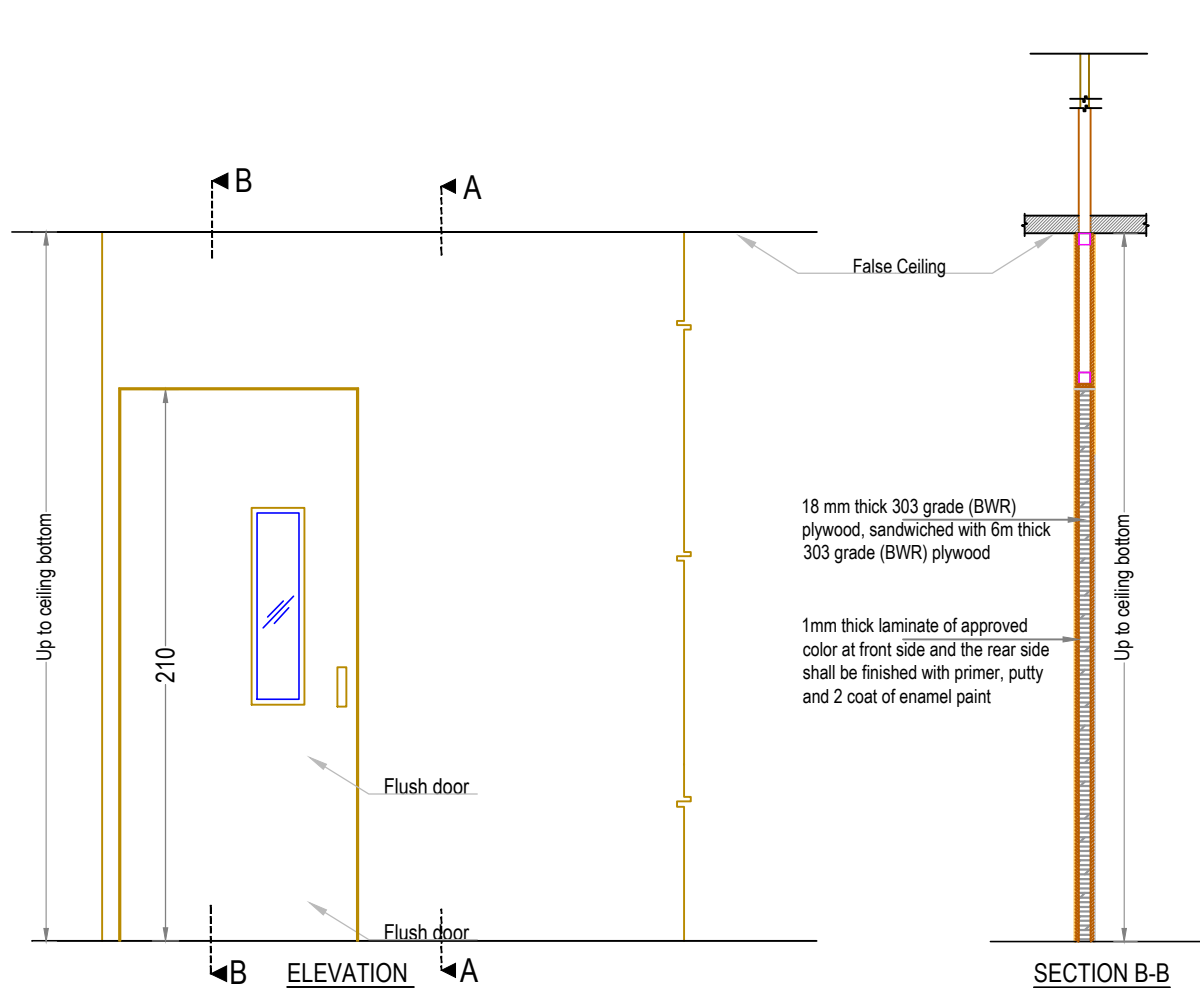
Chief Architect	Ar. K. RAMAKRISHNAN B.Sc.(Engg), M.I.E, C. Eng (I), F.I.V , F.I.I.A. (Regd), A.I.I.I.D
-----------------	--

Date: 05-02-2025	Drawing No.
------------------	-------------

Revision Date:	Sheet No. 06
----------------	--------------

Scale	NTS
-------	-----

All Dimensions are in CMs.



**PROPOSED INTERIOR FURNISHING
DETAILS FOR BANK OF BARODA,
VALANCHERY BRANCH**

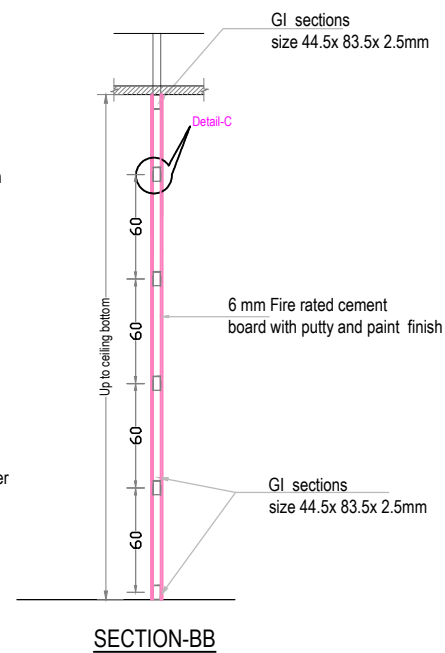
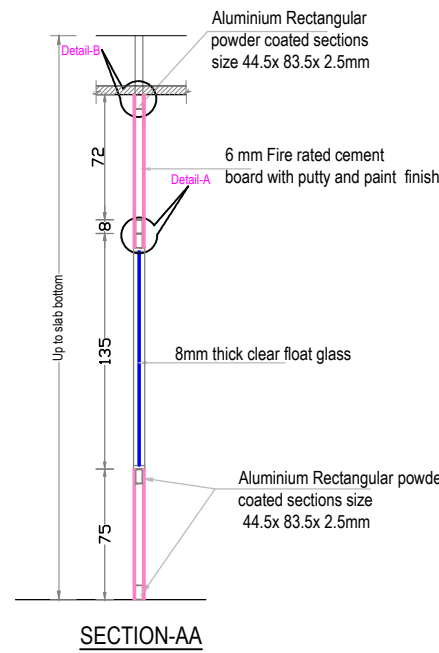
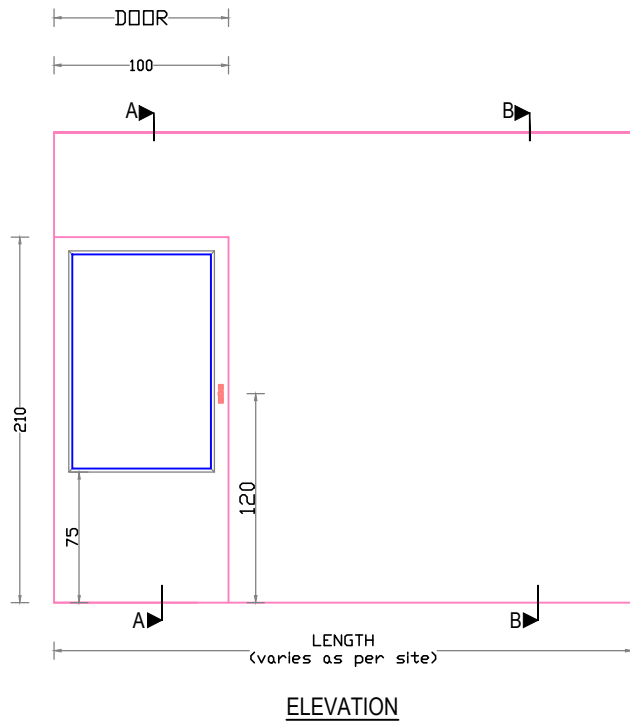
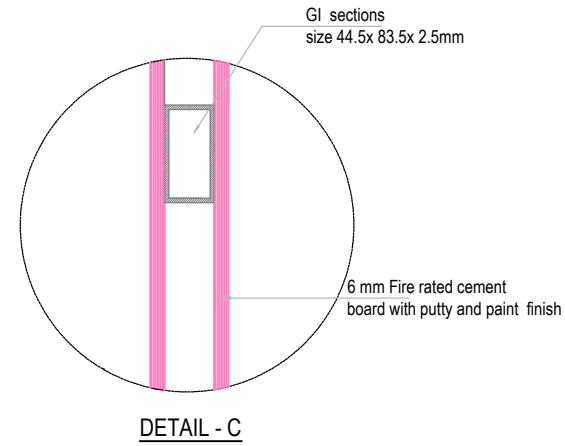
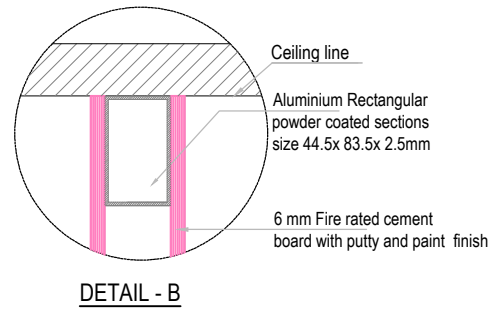
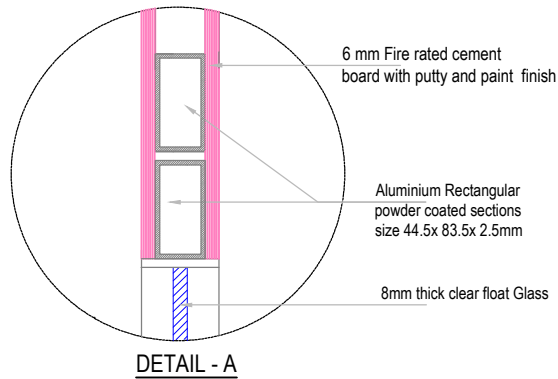
DETAILS OF :	ITEM NOS.
1. DOUBLE SKIN SOLID PARTITION	5
2. Flush door	6

Drawn by RAGHI K R

Architect
Ar. PRAVEEN P
B. Arch,[Regd], A.I.I.A, A.I.I.I.D

Chief Architect
Ar. K. RAMAKRISHNAN
B.Sc.(Engg.), F.I.E, C.Eng(I),
F.I.V.F.I.I.A,(Regd.), A.I.I.I.D

Date: 05-02-2025	Drawing No.
Revision Date:	Sheet No: 07
	Scale NTS
All Dimensions are in CMs.	



**PROPOSED INTERIOR FURNISHING
DETAIL FOR BANK OF BARODA,
VALANCHERY BRANCH**

DETAILS OF :	ITEM Nos.
1. FIRE RATED CEMENT PARTITION	7
2. PARTLY GLAZED DOOR	7a

Drawn by	RAGHI K R
----------	-----------

Architect	Ar.PRAVEEN.P B. Arch.[Reg], A.I.I.A, A.I.I.I.D
-----------	---

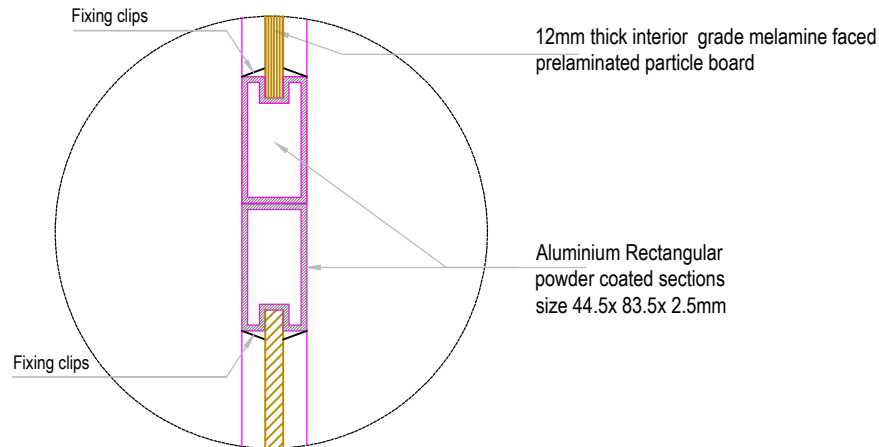
Chief Architect	Ar. K. RAMAKRISHNAN B.Sc.(Engg), M.I.E, C. Eng (I), F.I.V, F.I.I.A. (Regd), A.I.I.I.D
-----------------	---

Date: 05-02-2025	Drawing No.
------------------	-------------

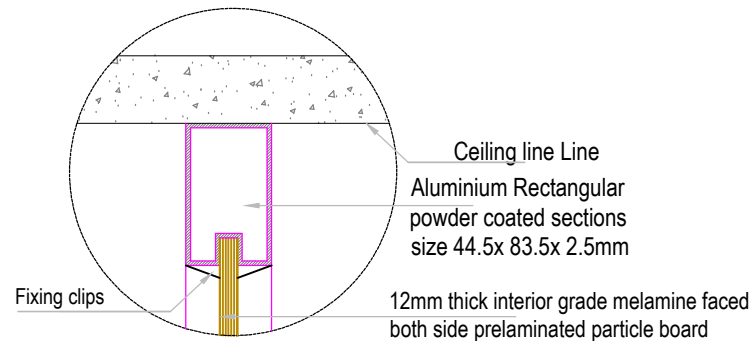
Revision Date:	Sheet No. 08
----------------	--------------

Scale	NTS
-------	-----

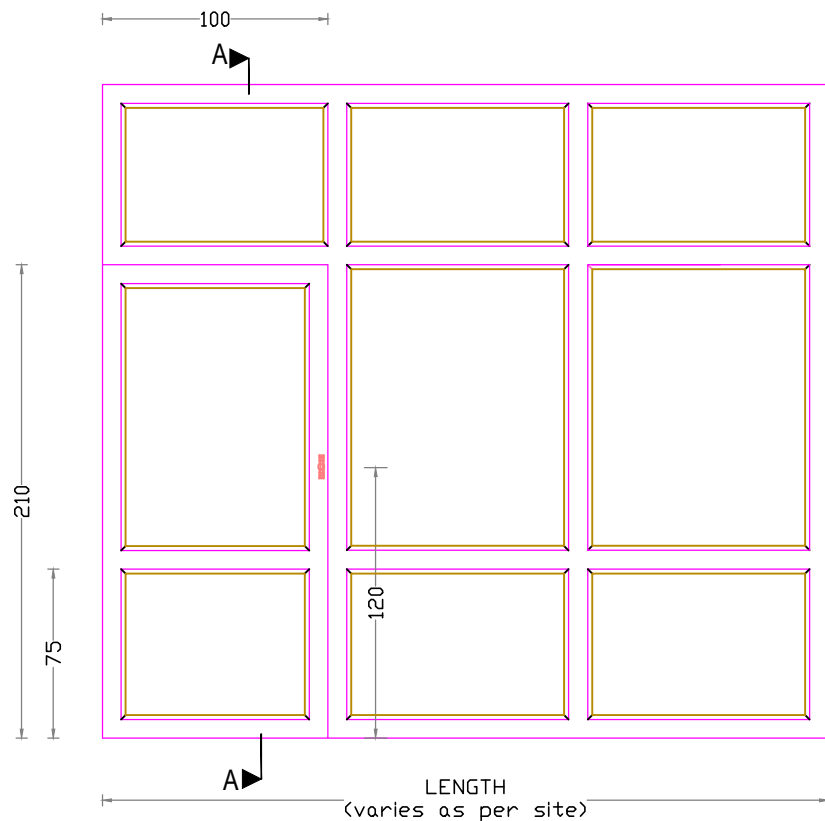
All Dimensions are in C.Ms.



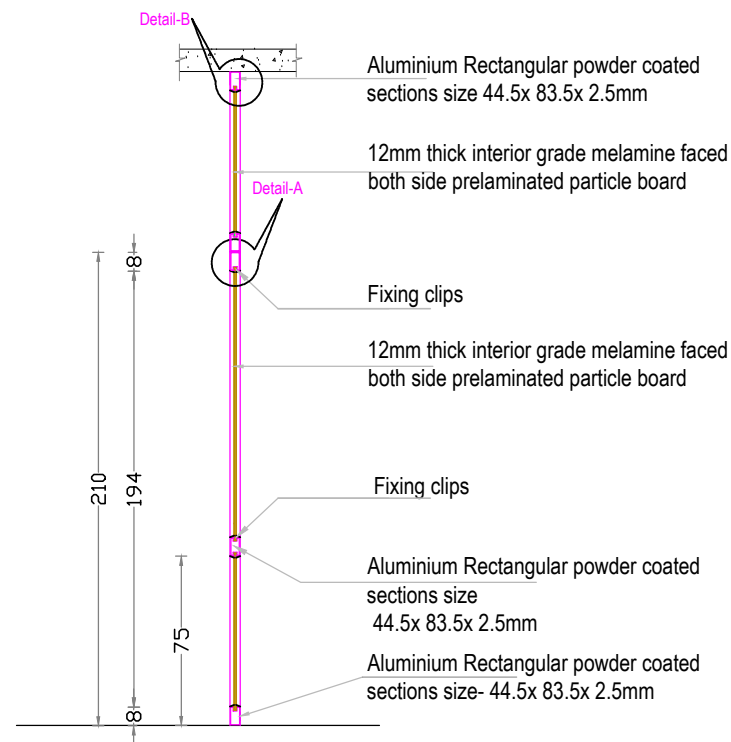
DETAIL - A



DETAIL - B



ELEVATION



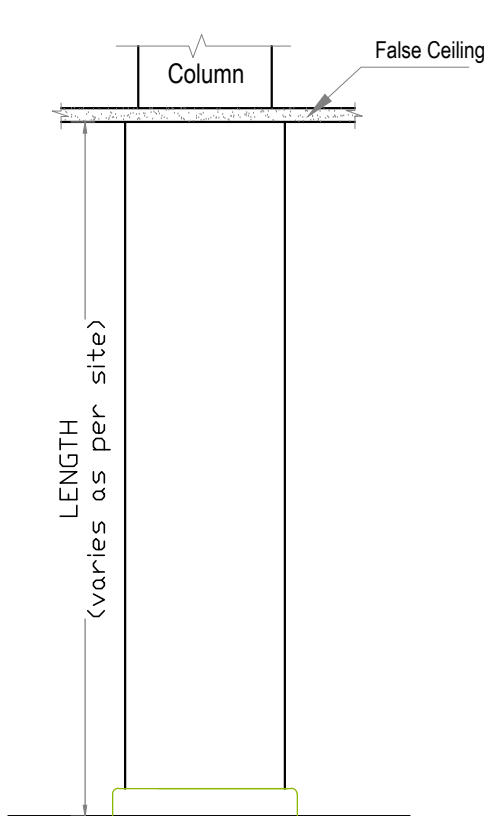
SECTION-AA

**PROPOSED INTERIOR FURNISHING
 FOR BANK OF BARODA VALANCHERY
 BRANCH**

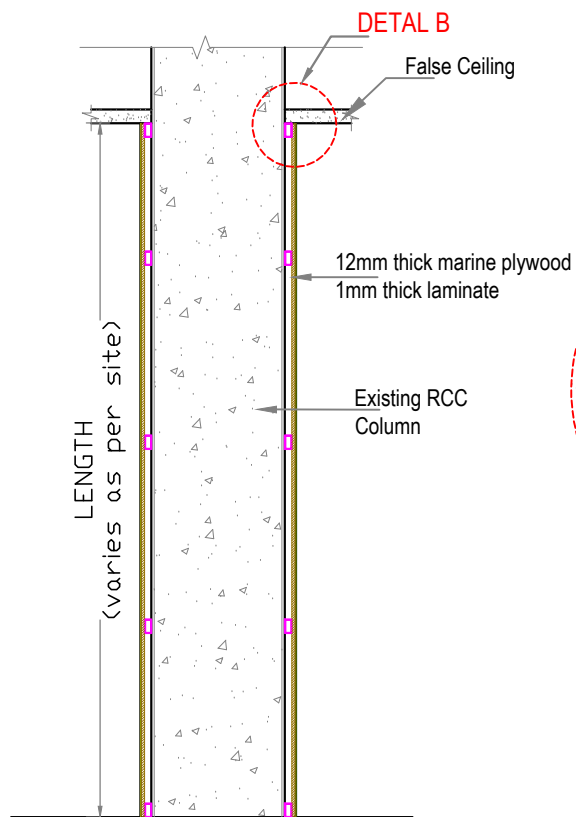
DETAILS OF :	ITEM Nos.
1. ALUMINIUM DOOR	8a
2. ALUMINIUM PARTITION	8

Drawn by	GINISH K G
Architect	Ar.PRAVEEN.P B. Arch.[Reg], A.I.I.A, A.I.I.I.D
Chief Architect	Ar. K. RAMAKRISHNAN B.Sc.(Engg), M.I.E, C. Eng (I), F.I.V, F.I.I.A. (Regd), A.I.I.I.D

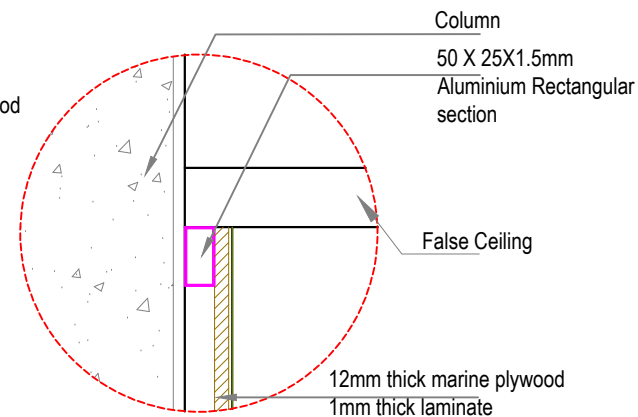
Date: 05-02-2025	Drawing No.
Revision Date:	Sheet No. 09
	Scale NTS
	All Dimensions are in CMs.



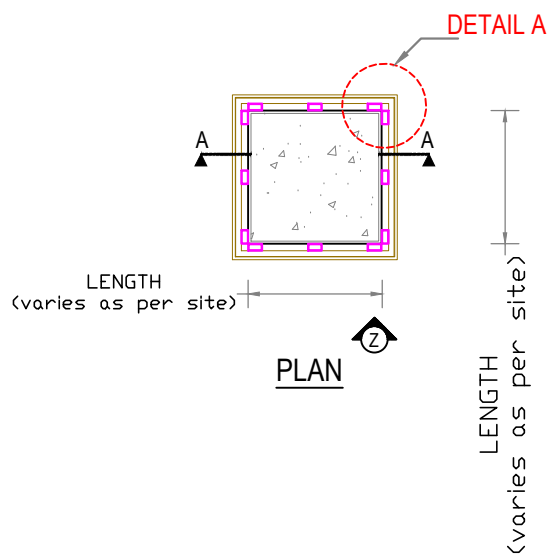
ELEVATION Z



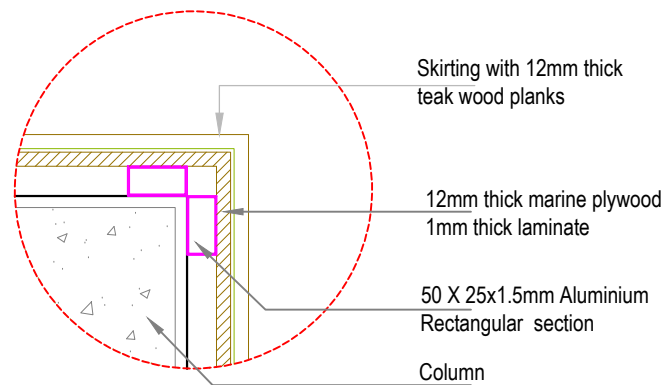
SECTION A-A



DETAIL B



PLAN



DETAIL A

**PROPOSED INTERIOR FURNISHING
 DETAILS FOR BANK OF BARODA,
 VALANCHERY BRANCH**

DETAILS OF :	ITEM NOS.
COLUMN PANELING	8

Drawn by RAGHI K R

Architect
 Ar.PRAVEEN.P
 B.Arch.[Regd], A.I.I.A, A.I.I.I.D

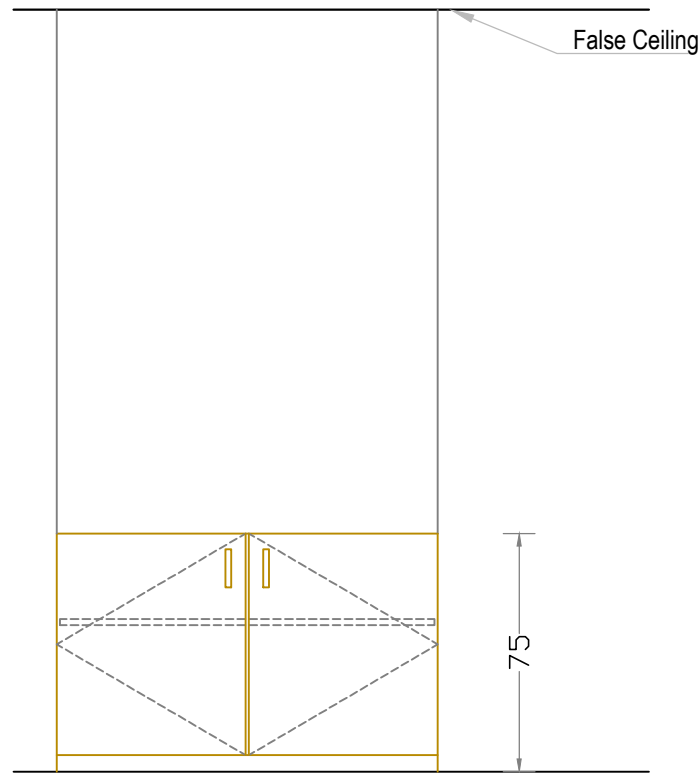
Chief Architect
 Ar. K. RAMAKRISHNAN
 B.Sc.(Engg), F.I.E, C. Eng (I),
 F.I.V, I.I.I.D, F.I.I.A, (Regd)

Date: 05-02-2025 Drawing No.

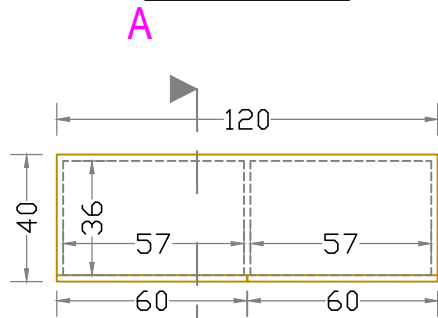
Revision Date: Sheet No: 10

Scale NTS

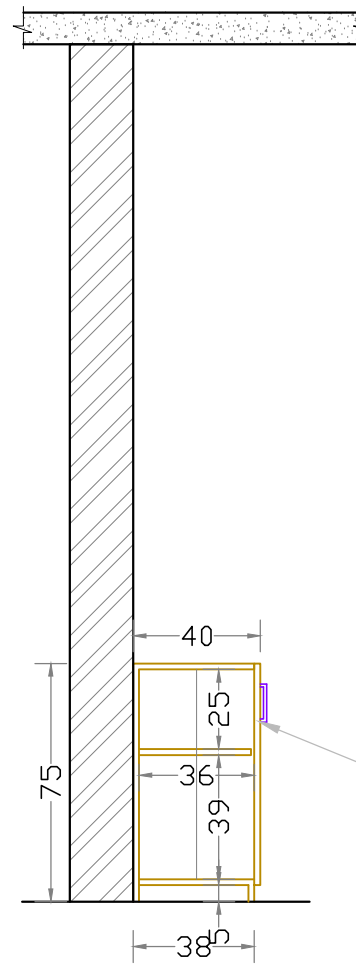
All Dimensions are in CMs.



ELEVATION



PLAN



SECTION- AA

19mm Thick Marine Plywood
with Externally 1 mm Thick
Laminate and Internal Laminate
0.8mm Thick.

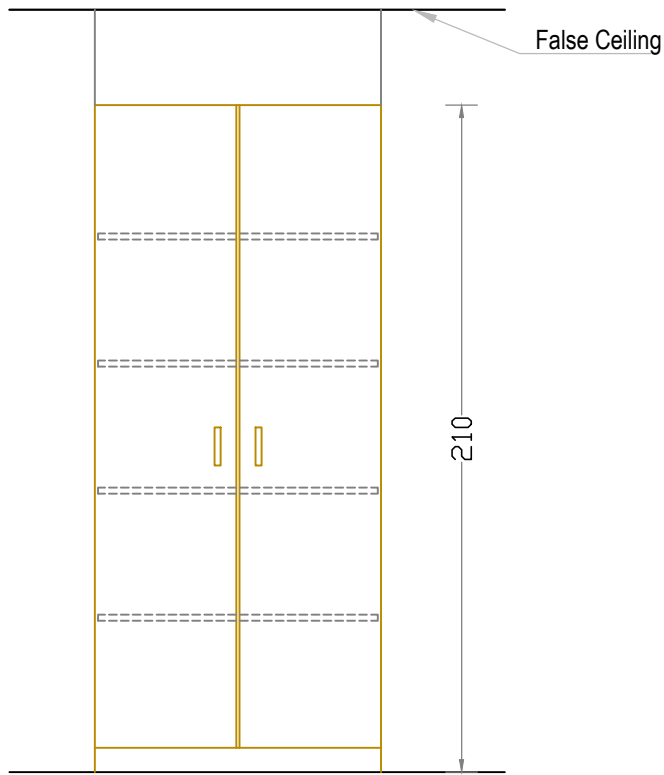
**PROPOSED INTERIOR FURNISHING
FOR BANK OF BARODA
VALANCHERY BRANCH**

DETAILS OF :	ITEM NOS.
CUPBOARD 75 CM HEIGHT	11a

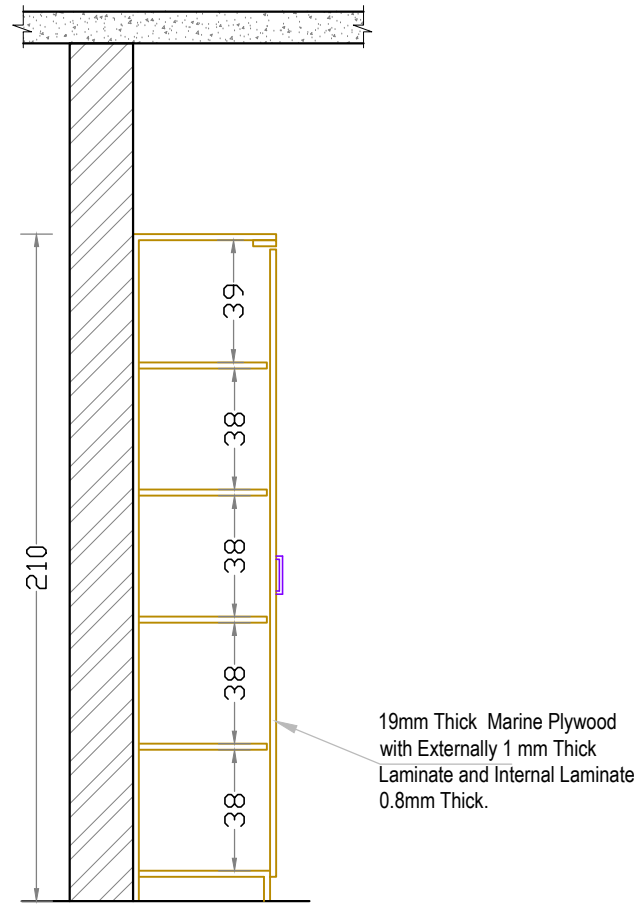
Drawn by	RAGHI K R
Architect	Ar.PRAVEEN P B. Arch,[Regd], A.I.I.A, A.I.I.I.D

Chief Architect	Ar.K. RAMAKRISHNAN B.Sc.(Engg.), F.I.E, C.Eng(I), F.I.V.F.I.I.A.(Regd.), A.I.I.I.D
-----------------	--

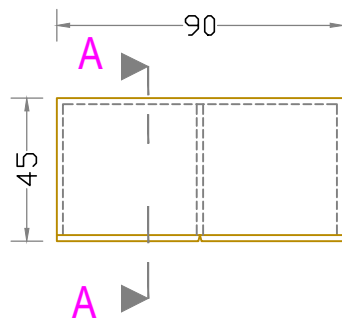
Date: 05-02-2025	Drawing No.
Revision Date:	Sheet No: 11
	Scale NTS
All Dimensions are in CMs.	



ELEVATION



SECTION- AA



PLAN

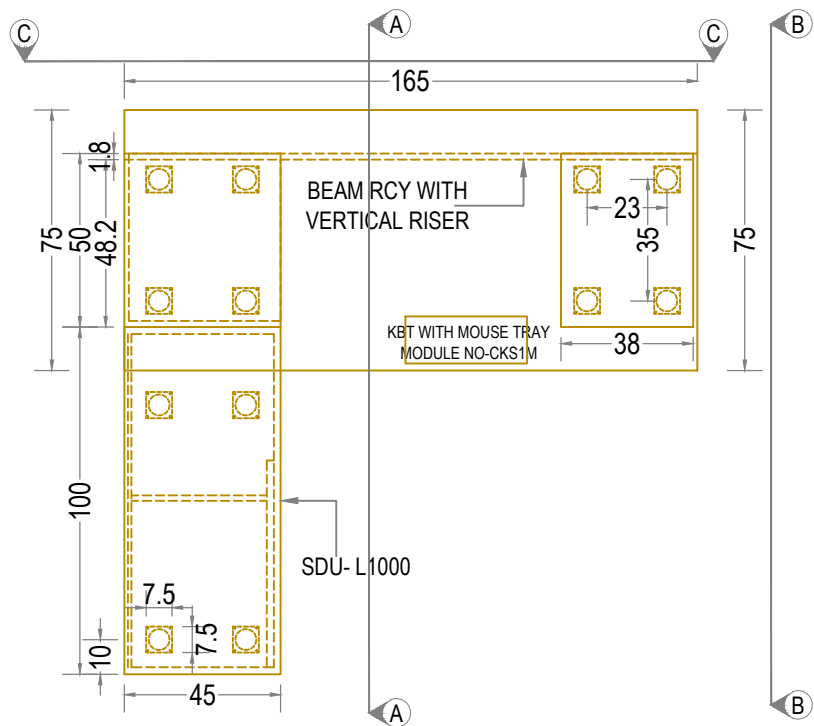
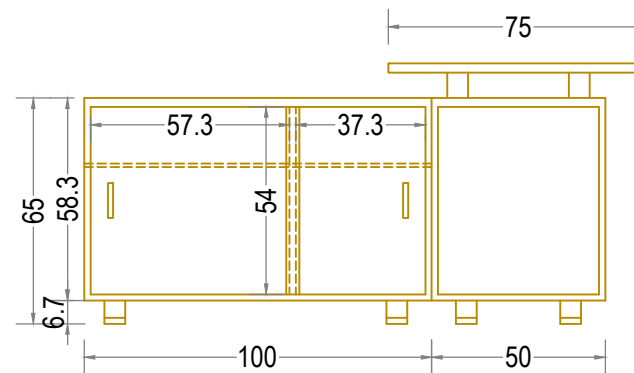
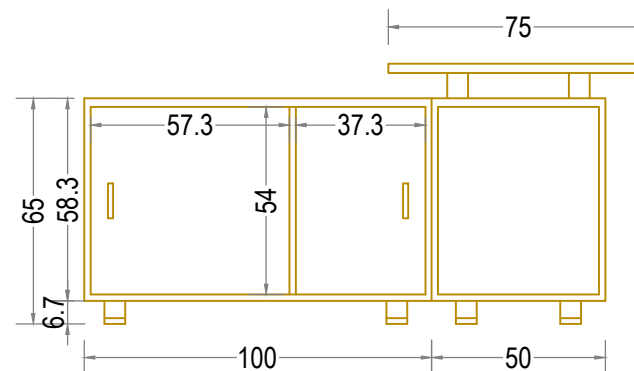
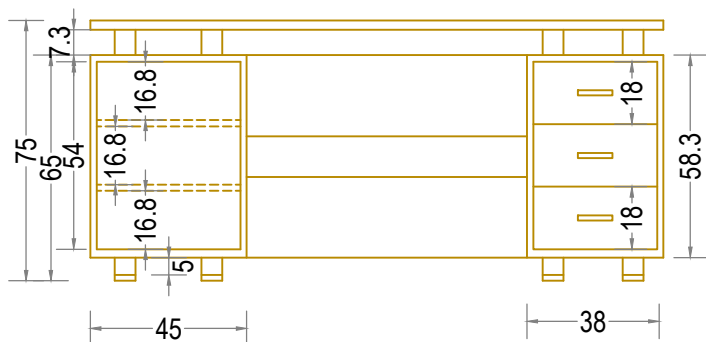
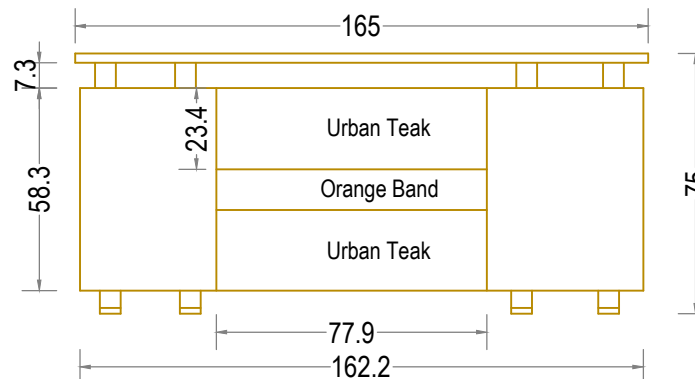
**PROPOSED INTERIOR FURNISHING
FOR BANK OF BARODA
VALANCHERY BRANCH**

DETAILS OF : CUPBOARD 210 CM HEIGHT	ITEM NOS. 11b
--	------------------

Drawn by	RAGHI K R
Architect	Ar.PRAVEEN.P B. Arch,[Regd], A.I.I.A, A.I.I.I.D

Chief Architect	Ar.K. RAMAKRISHNAN B.Sc;(Engg.), F.I.E, C.Eng(I), F.I.V.F.I.A(Regd.), A.I.I.I.D
-----------------	---

Date: 05-02-2025	Drawing No.
Revision Date:	Sheet No: 12
	Scale NTS
	All Dimensions are in CMs.


PLAN

VIEW :BB

VIEW :AA

REAR ELEVATION

VIEW :CC

**PROPOSED INTERIOR FURNISHING
FOR BANK OF BARODA VALANCHERY
BRANCH**

DETAILS OF :	ITEM NOS.
MANAGER TABLE 165X75X75CM	12
SIDE TABLE 100X45X75CM	15a

Drawn by GINISH K G

Architect
Ar. PRAVEEN.P
B. Arch.[Regd], A.I.I.A, A.I.I.I.D

Chief Architect

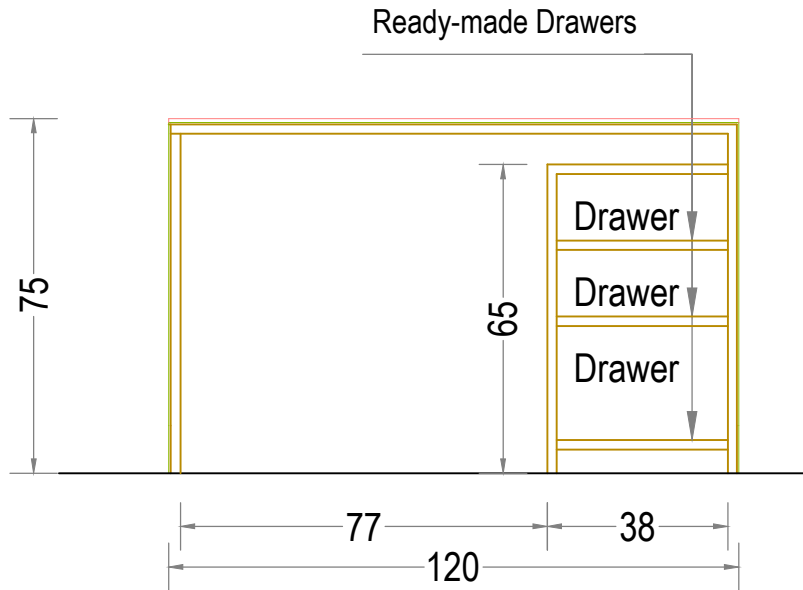
K. RAMAKRISHNAN
B.Sc.(Engg.), F.I.E, C.Eng(I),
F.I.V.F.I.I.A.(Regd), A.I.I.I.D

Date: 05-02-2025 Drawing No.

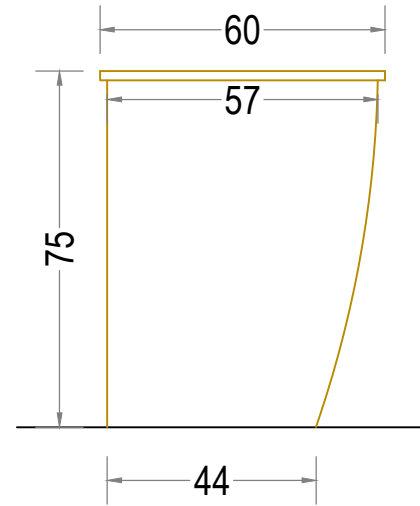
Revision Date: Sheet No: 13

Scale NTS

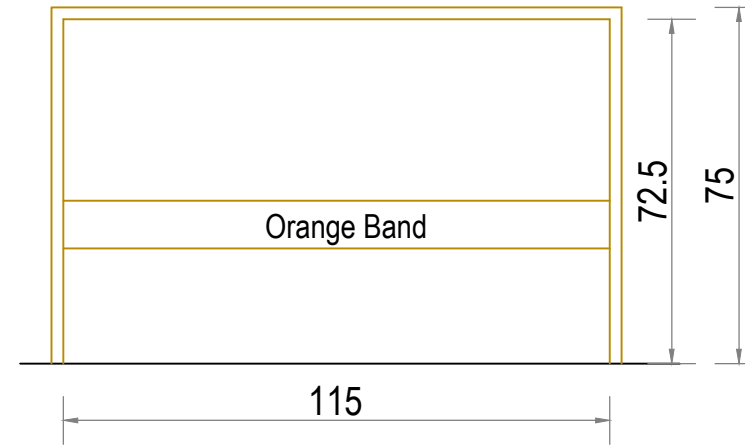
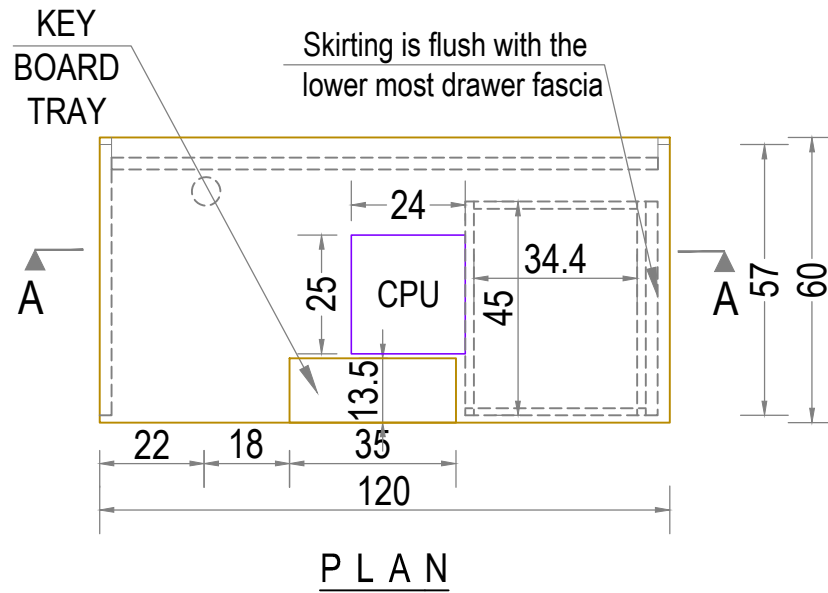
All Dimensions are in CMs.



SECTION- AA



SIDE ELEVATION



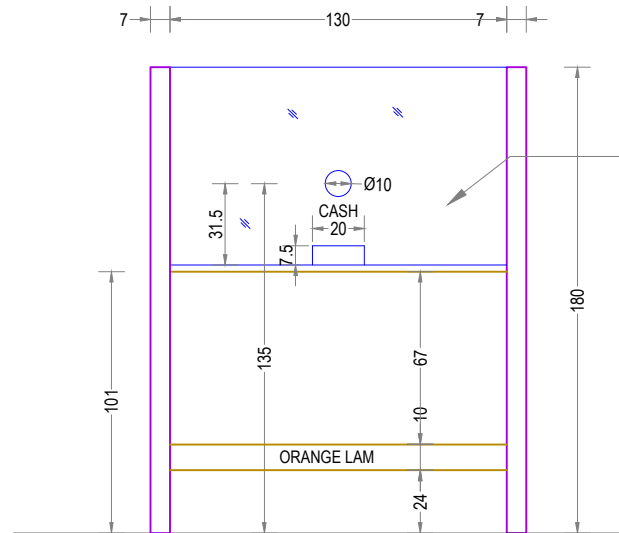
FRONT ELEVATION

**PROPOSED INTERIOR FURNISHING
 FOR BANK OF BARODA
 VALANCHERY BRANCH**

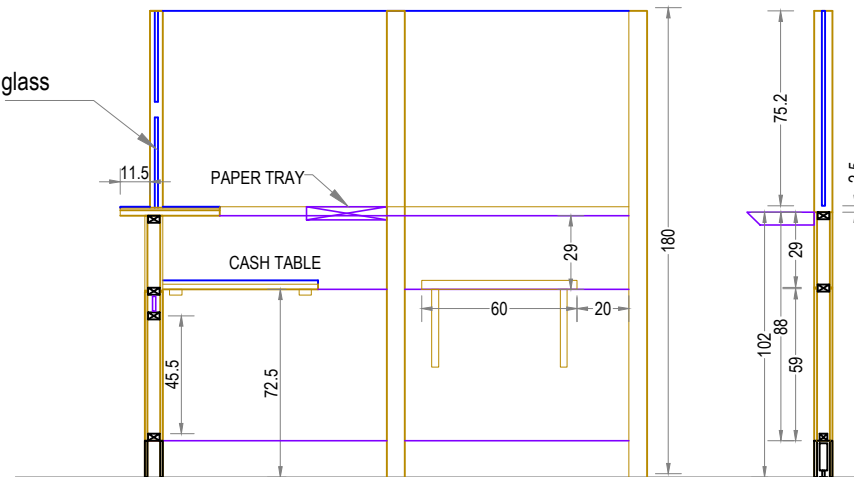
DETAILS OF :	ITEM NOS.
LINEAR WORKSTATION 120X60X75CM	14

Drawn by	RAGHI K R
Architect	Ar.PRAVEEN.P B. Arch.[Regd], A.I.I.A, A.I.I.I.D
Chief Architect	Ar.K. RAMAKRISHNAN B.Sc.(Engg.), F.I.E, C.Eng(I), F.I.V.F.I.I.A.(Regd.), A.I.I.I.D

Date: 05-02-2025	Drawing No.
Revision Date:	Sheet No: 14
	Scale NTS
	All Dimensions are in CMs.



FRONT ELEVATION



SECTION AA

**PROPOSED INTERIOR FURNISHING
FOR BANK OF BARODA,
VALANCHERY BRANCH**

CASH CABIN

DETAILS OF :	ITEM NOS.
1. TELLER CUBICAL	14
2. SIDE PANEL FOR TELLER CUBICAL	4
3. TELLER DOOR	

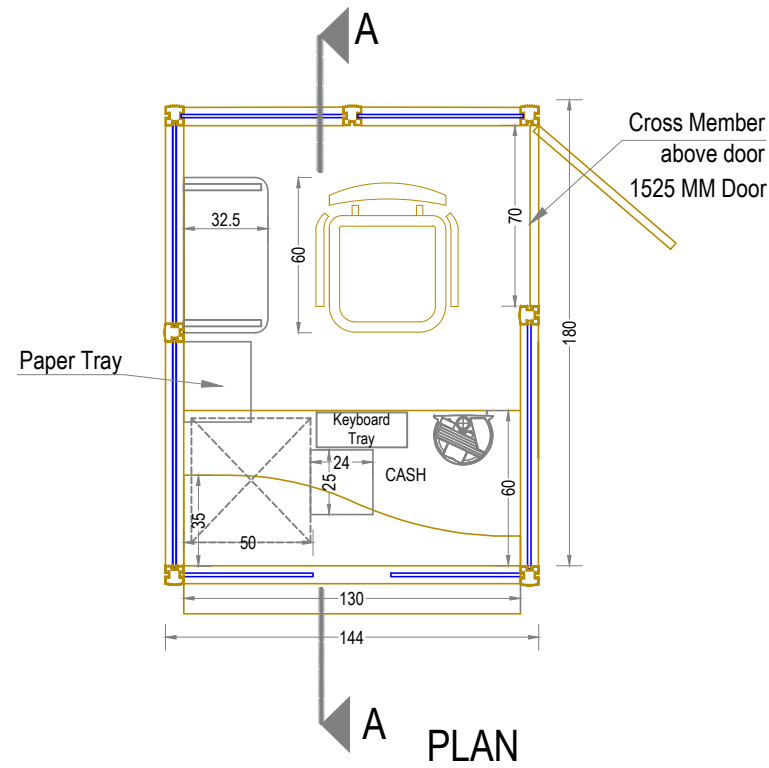
Drawn by RAGHI K R

Architect Ar.PRAVEEN.P
B. Arch.[Reg], A.I.I.A, A.I.I.I.D

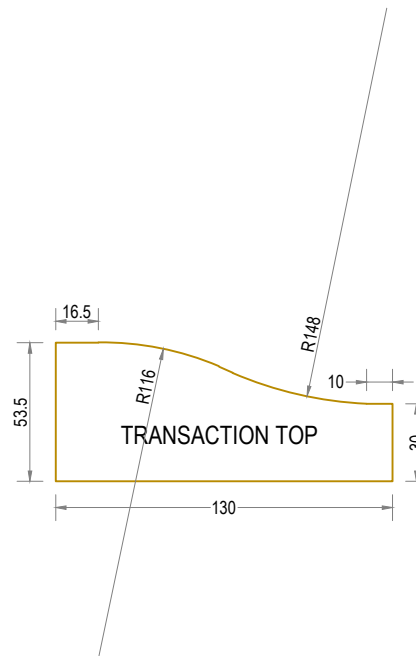
Chief Architect

Ar. K. RAMAKRISHNAN
B.Sc.(Engg), F.I.E, C. Eng (I),
F.I.V , F.I.I.A. (Regd), A.I.I.I.D

Date: 05-02-2025	Drawing No.
Revision Date:	Sheet No : 15
	Scale : NTS
Note: All Dimensions are in CMs.	



PLAN



TRANSACTION TOP

**PROPOSED INTERIOR FURNISHING
 DETAILS FOR BANK OF BARODA,
 VALANCHERY BRANCH**

DETAILS OF :	ITEM NOS.
WRITING DESK 170X50X110 CM	16

Drawn by RAGHI KR

Architect
 Ar.PRAVEEN.P
 B. Arch,[Regd], A.I.I.A, A.I.I.I.D

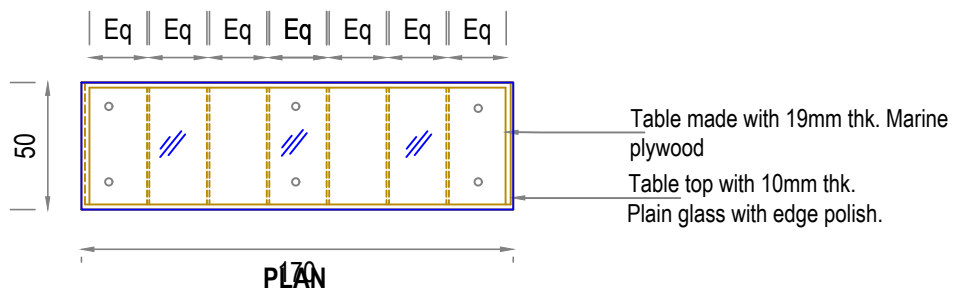
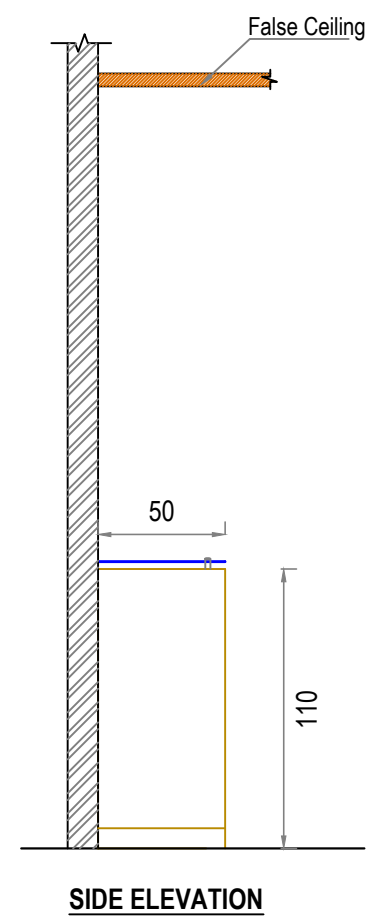
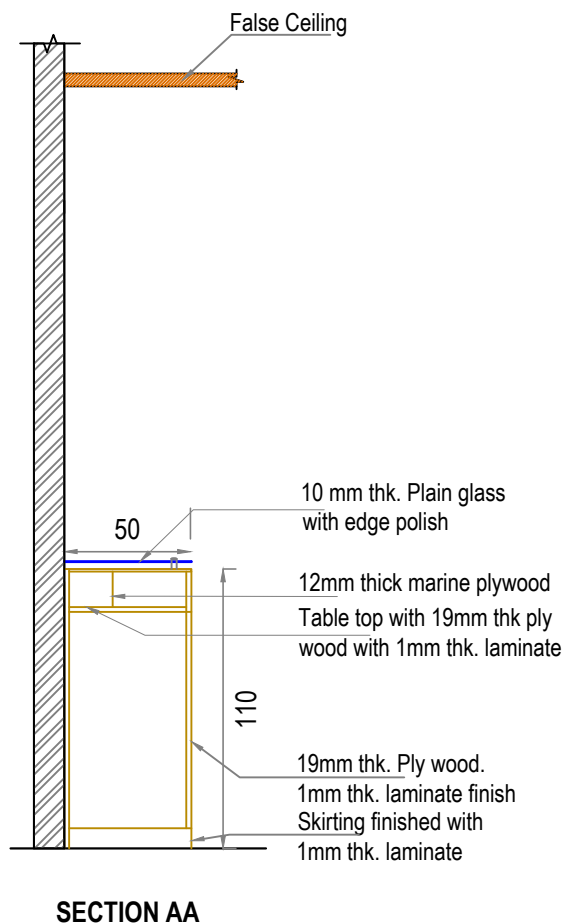
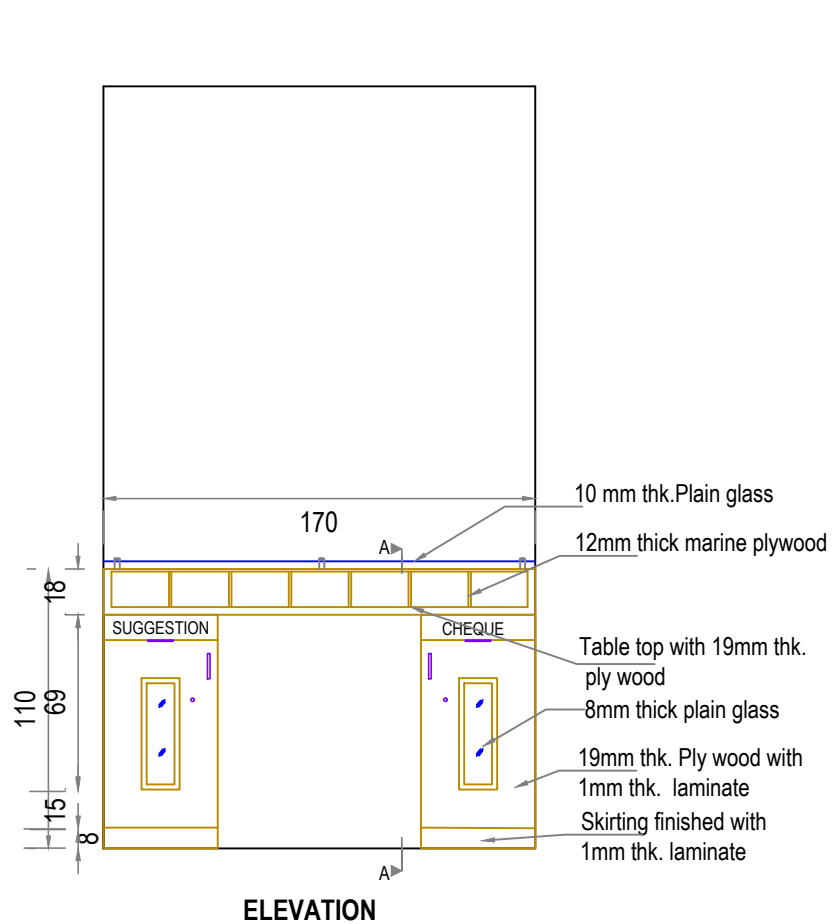
Chief Architect
 Ar. K. RAMAKRISHNAN
 B.Sc.(Engg), F.I.E, C. Eng (I),
 F.I.V ,I.I.I.D, F.I.I.A. (Regd)

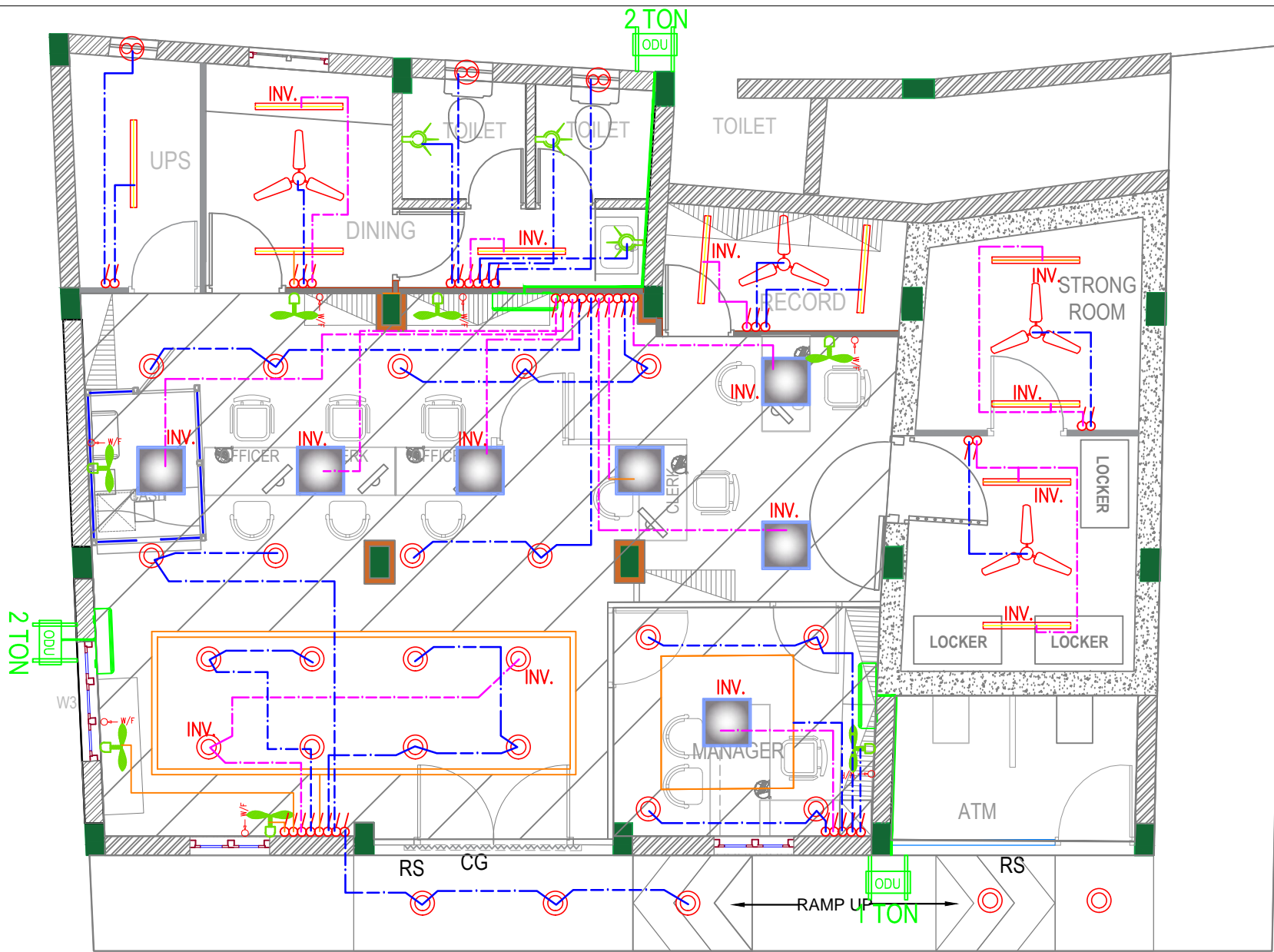
Date: 05-02-2025 Drawing No.

Revision Date: Sheet No: **16**

Scale: NTS

All Dimensions are in CMs.





Fixture	Description
	LED 2x2 light Fitting
	LED Down Light
	Wall fan
	Bracket light
	Ceiling fan
	Led Tube Light
	1 Way Switch
	25A DP Switch for AC
	25A DP Socket for AC
	Exhaust fan
	AC Indoor
	6A socket for wall fan
	20MM DIA ISI MEDIUM DUTY PVC CONDUIT FOR UPS LIGHTING
	20MM DIA ISI MEDIUM DUTY PVC CONDUIT FOR LIGHTING

ENARC CONSULTANTS
ARCHITECTS AND ENGINEERS
 M. G. Road, Thrissur - 1.
 Tel. : +91 (487) 2441901
 Fax : +91 (487) 2442011
 E-mail : office@enarc.net.in

PROPOSED INTERIOR FURNISHING
 FOR BANK OF BARODA,
 VALANCHERY

ELECTRICAL LIGHTING LAYOUT

Drawn By RAGHI K R

Architect

Ar.Praveen.P
 B. Arch.[Reg], A.I.I.A, A.I.I.I.D

Chief Architect

Ar. K. RAMAKRISHNAN
 B.Sc.(Engg), F.I.E, C. Eng (I),
 F.I.V, F.I.I.A. (Regd), A.I.I.I.D

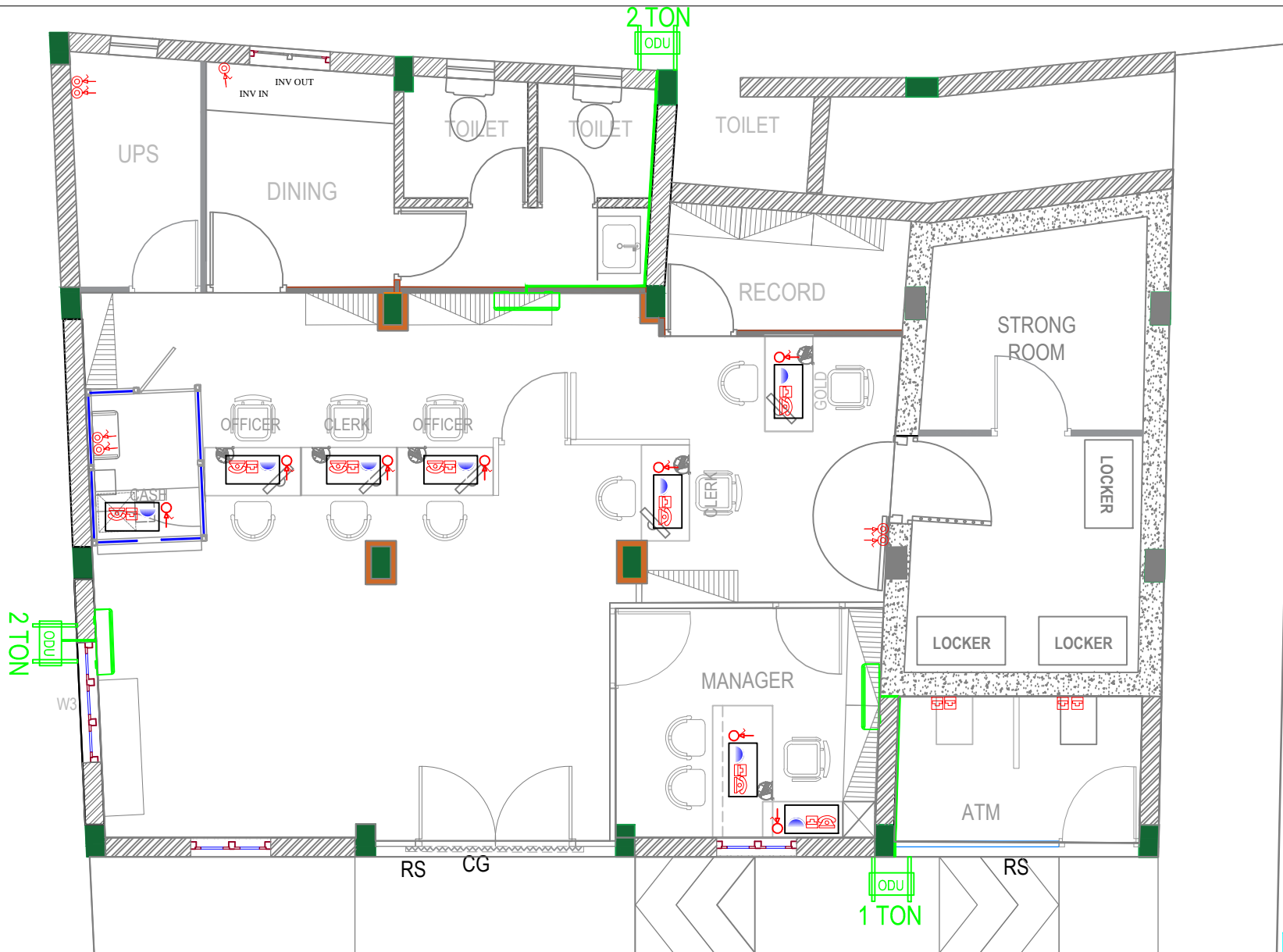
Date : 06-02-2025

Revision Date:

Drawing No: 01

Scale : N T S

All Dimensions are in CMs.



	Telephone
	UPS Plug Point - 3 outputs.
	6/16 A Power Point.
	6A plug point with Switch
	25A DP Socket for AC
	Distribution board
	Data Point

NOTE- NETWORK RACK POWER PLUG SHALL FIXED AT SUITABLE LOCATION

ENARC CONSULTANTS
ARCHITECTS AND ENGINEERS
 M. G. Road, Thrissur - 1.
 Tel. : +91 (487) 2441901
 Fax : +91 (487) 2442011
 E-mail : office@enarc.net.in

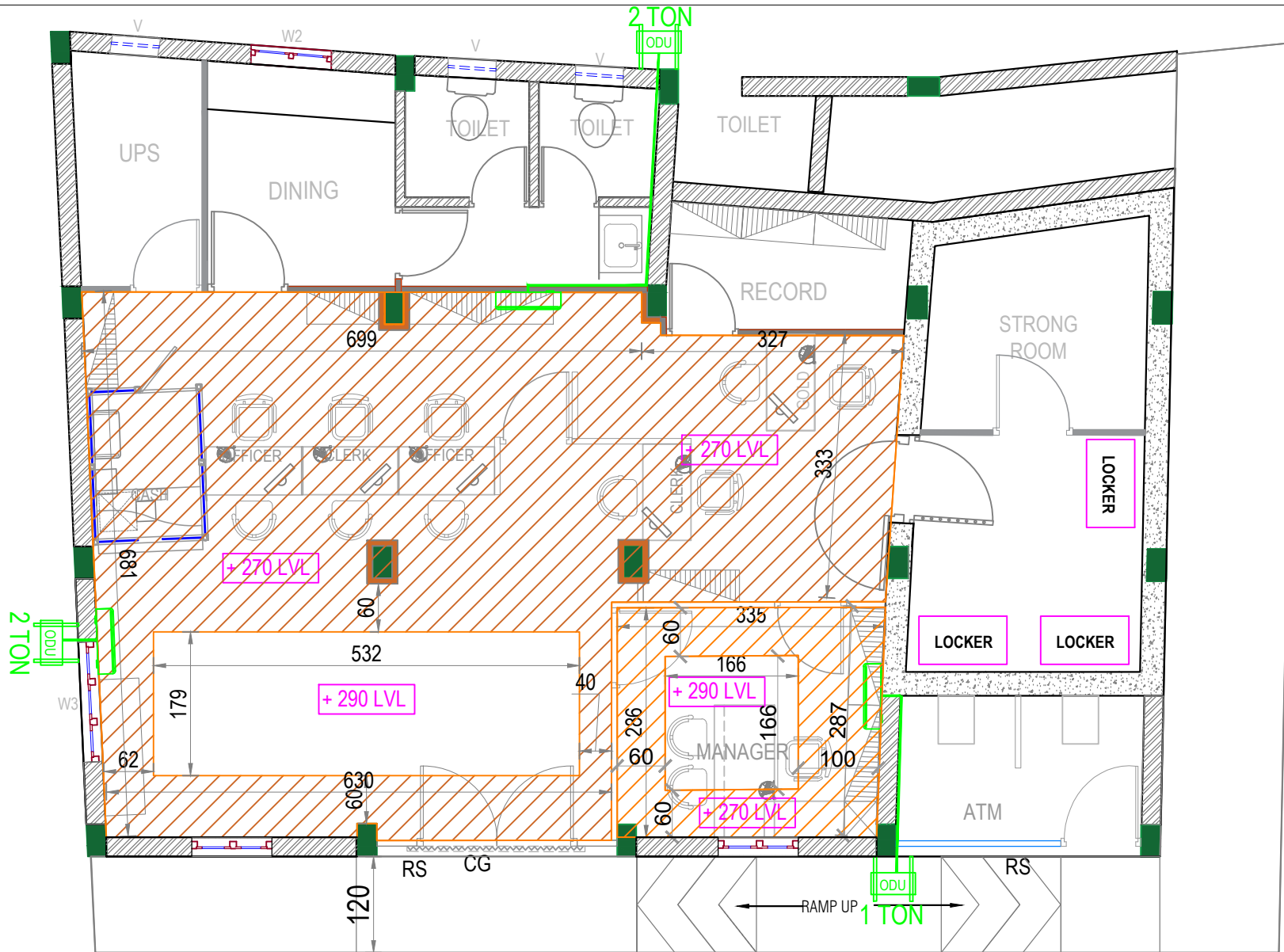
PROPOSED INTERIOR FURNISHING
 FOR BANK OF BARODA,
 VALANCHERY

ELECTRICAL POWER LAYOUT

Drawn By RAGHI K R
 Architect
 Ar.Praveen.P
 B. Arch.[Reg], A.I.I.A, A.I.I.I.D

Chief Architect
 Ar. K. RAMAKRISHNAN
 B.Sc.(Engg), F.I.E, C. Eng (I),
 F.I.V , F.I.I.A. (Regd), A.I.I.I.D

Date : 06-02-2025
 Revision Date:
 Drawing No: 02
 Scale : N T S
 All Dimensions are in CMs.



ENARC CONSULTANTS
ARCHITECTS AND ENGINEERS

M. G. Road, Thrissur - 1.
 Tel. : +91 (487) 2441901
 Fax : +91 (487) 2442011
 E-mail : office@enarc.net.in

**PROPOSED INTERIOR FURNISHING
 FOR BANK OF BARODA,
 VALANCHERY**

AC LAYOUT

Drawn By RAGHI K R
 Architect
 Ar.Praveen.P
 B. Arch.[Reg], A.I.I.A, A.I.I.I.D

Chief Architect
 Ar. K. RAMAKRISHNAN
 B.Sc.(Engg), F.I.E, C. Eng (I),
 F.I.V, F.I.I.A. (Regd), A.I.I.I.D

Date : 06-02-2025
 Revision Date:
 Drawing No: **01**
 Scale : N T S
 All Dimensions are in CMs.