

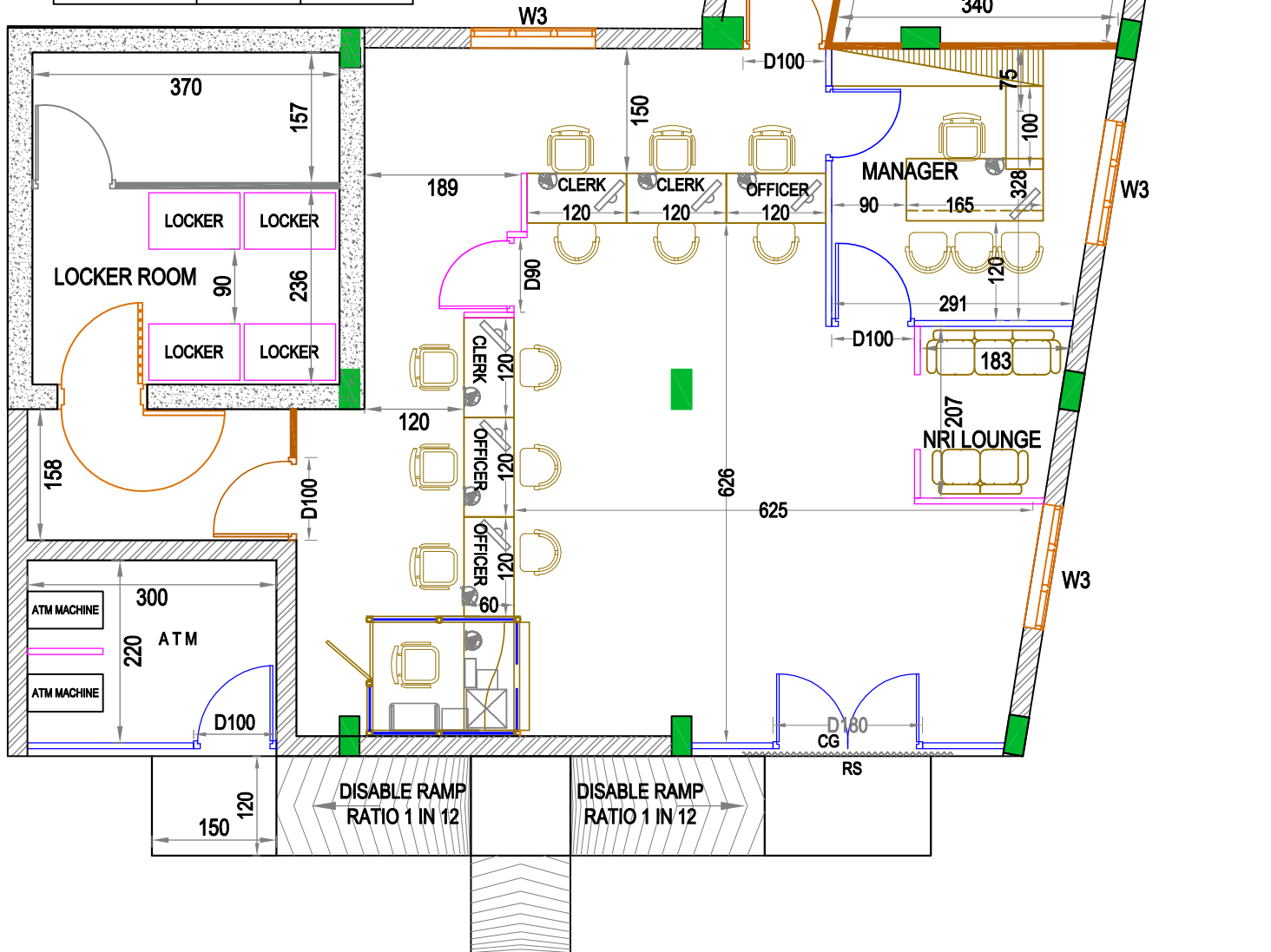


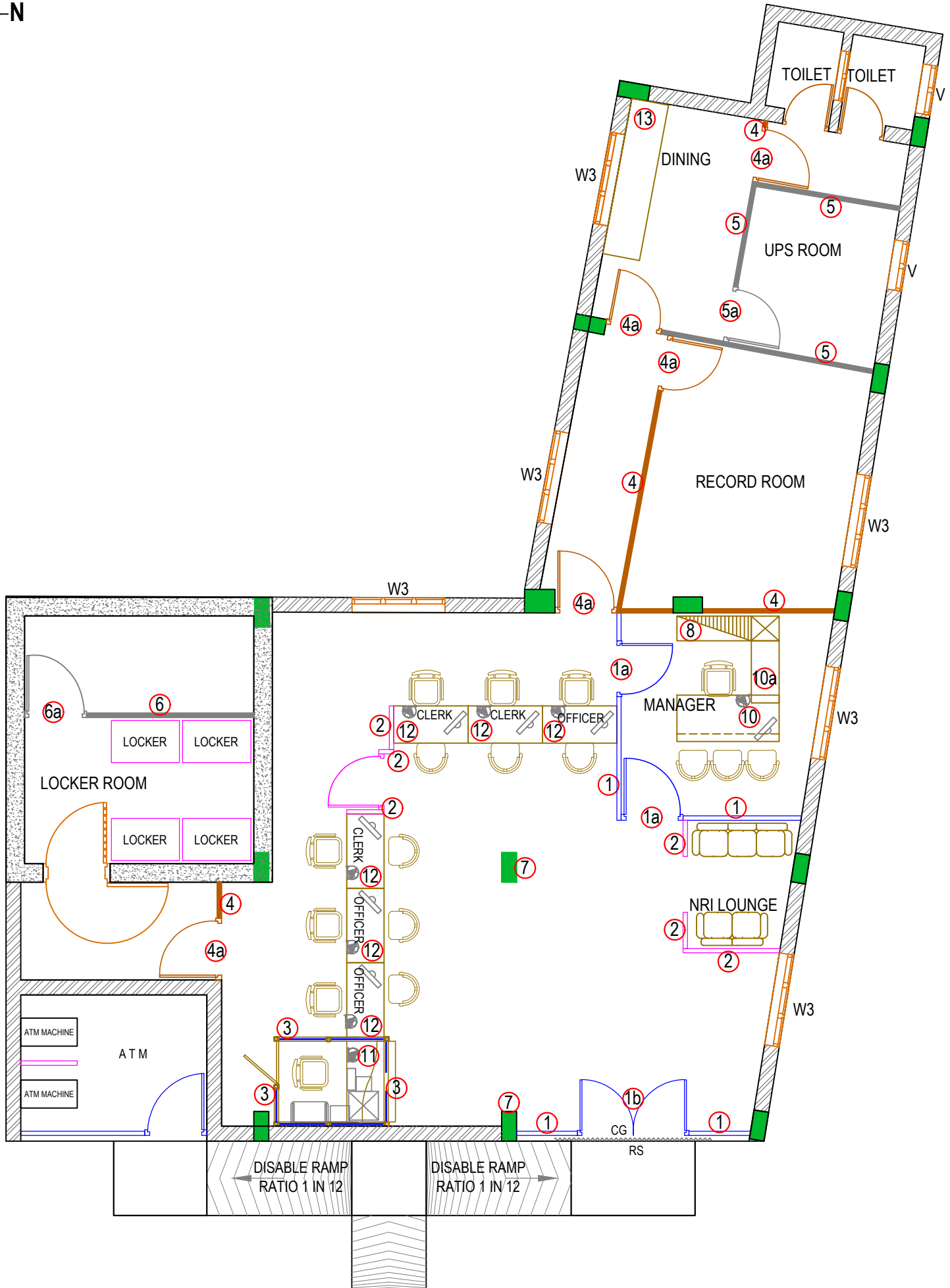
**LEGEND**

- FULL GLAZED PARTITIONS
- DOUBLE SKIN SOLID GLAZED PARTITIONS
- SOLID PARTITIONS
- SEMI PARTITIONS (210 cm ht. Half glazed)
- SEMI PARTITIONS (120 cm ht. Half glazed)
- FIRE RATED CEMENT PARTITION
- CUPBOARD 75 CM HEIGHT
- CUPBOARD 120 CM HEIGHT
- CUPBOARD 210 CM HEIGHT
- PROPOSED BRICK WORK

**AREA STATEMENT**

SPACE	AREA (IN SQ.M)	AREA (IN SQ.FT)
BANKING AREA	37.14	399.63
CUSTOMER AREA	32.68	351.64
NRI LOUNGE	3.70	39.81
LOCKER ROOM	14.80	159.25
ANTE ROOM	5.12	55.09
DINING ROOM	7.80	83.93
ATM	7.08	76.18
RECORD ROOM	14.59	156.99
UPS ROOM	6.46	69.51
PASSAGAE	5.90	63.48
<b>TOTAL AREA</b>	<b>135.27</b>	<b>1455.51</b>
TOILET AREA	5.87	63.16
<b>TOTAL AREA</b>	<b>141.14</b>	<b>1518.67</b>





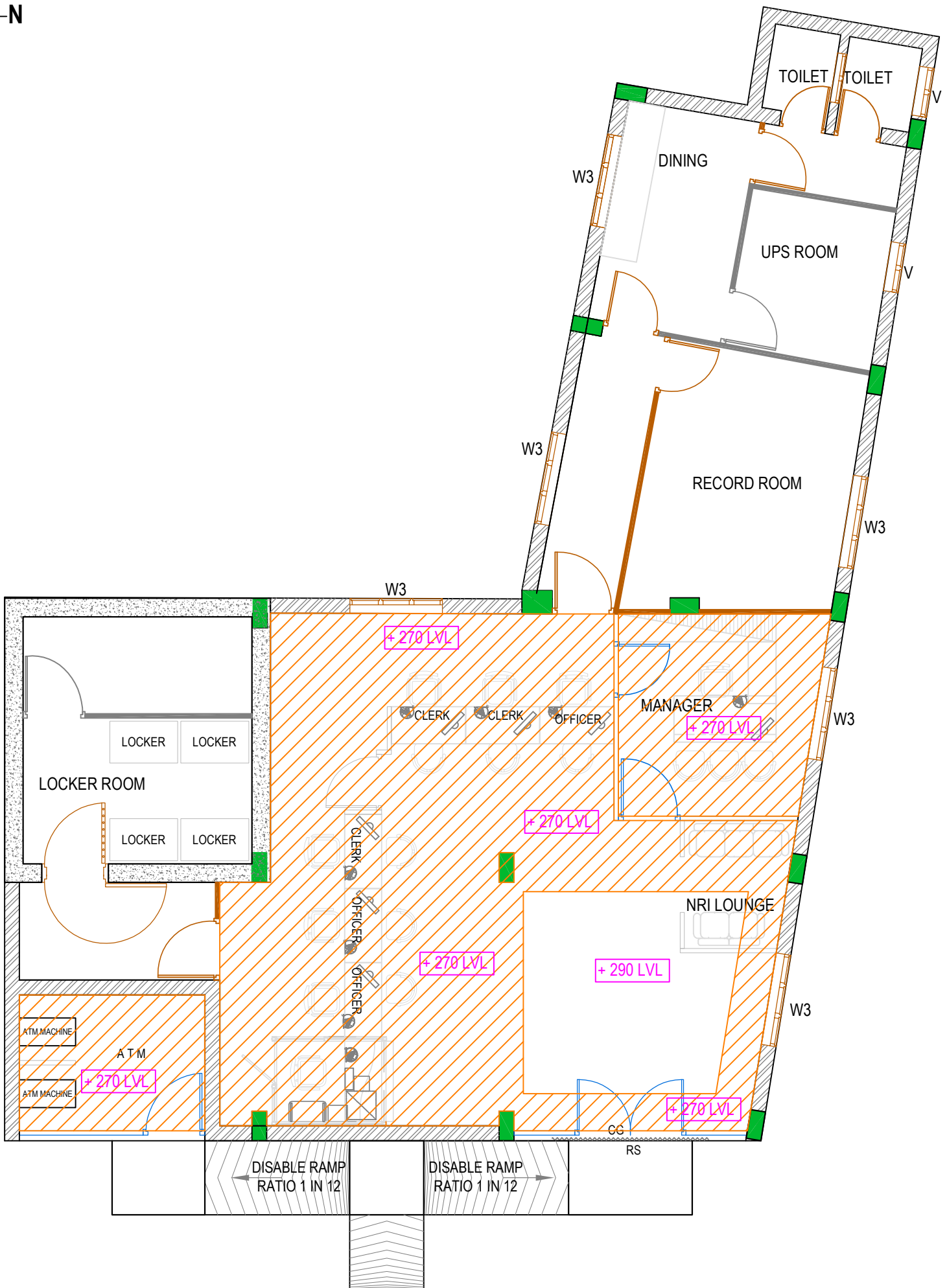
**ENARC CONSULTANTS**  
**ARCHITECTS AND ENGINEERS**  
 M. G. Road, Thrissur - 1.  
 Tel. : +91 (487) 2441901  
 E-mail : office@enarc.net.in

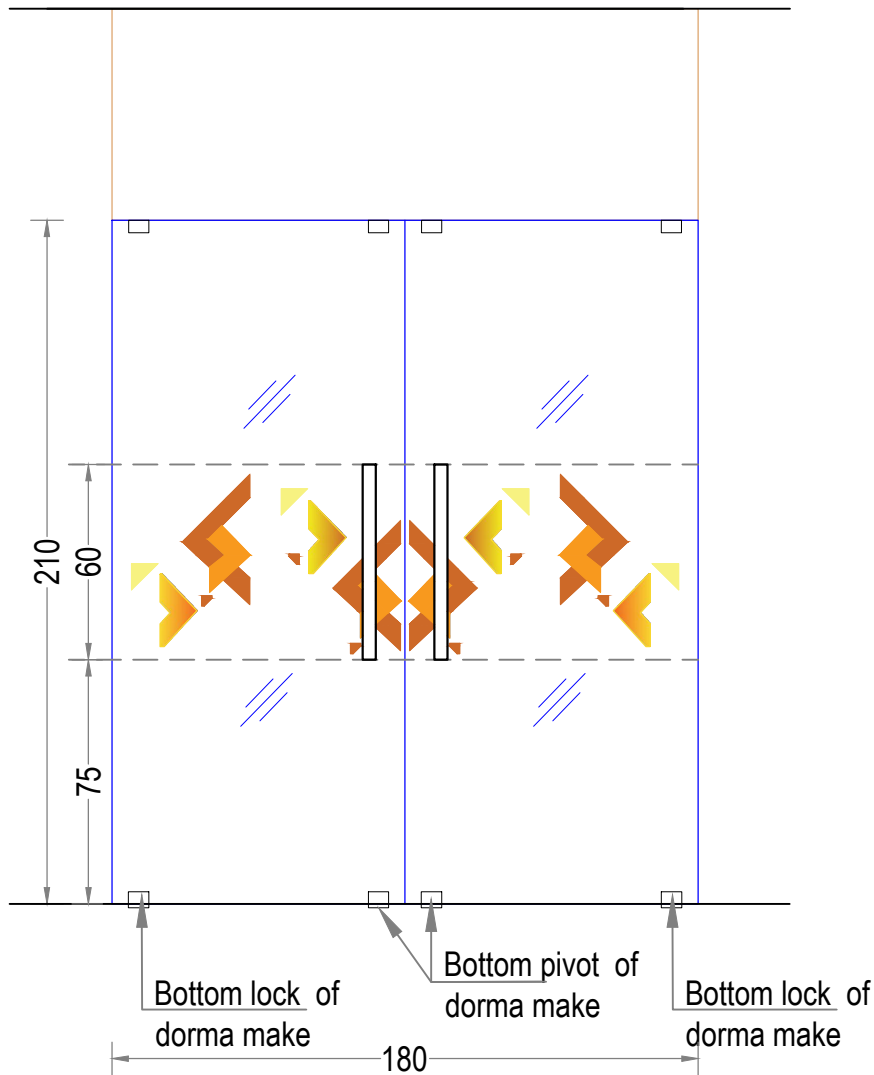
**PROPOSED INTERIOR FURNISHING FOR BANK OF BARODA VADANAPALLY**  
**INTERIOR LAYOUT WITH ITEM NO OPTION - 05**

Drawn By GINISH K G  
 Architect  
 Ar.PRAVEEN.P  
 B. Arch.[Reg], A.I.I.A, A.I.I.I.D

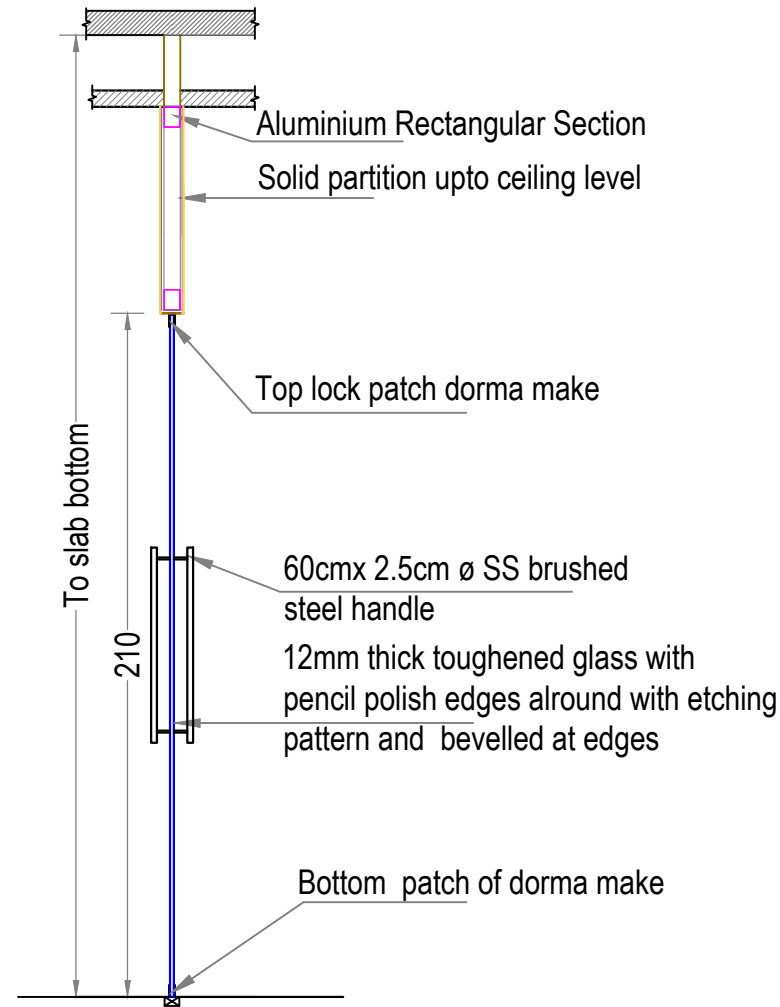
Chief Architect  
 Ar. K. RAMAKRISHNAN  
 B.Sc.(Engg), F.I.E, C. Eng (I),  
 F.I.V, I.I.I.D, F.I.I.A. (Regd),

Date : 06-02-2025  
 Revision Date:  
 Sheet No : 02  
 Scale : N T S  
 All Dimensions are in CMs.





**MAIN DOOR ELEVATION**



**SECTION- AA**

**PROPOSED INTERIOR FURNISHING  
FOR BANK OF BARODA  
VADANAPALLY**

DETAILS OF :	ITEM NOS.
1. FULLY GLAZED DOOR	1b

Drawn by	GINISH K G
----------	------------

Architect	Ar. PRAVEEN.P B. Arch,[Regd], A.I.I.A, A.I.I.I.D
-----------	---

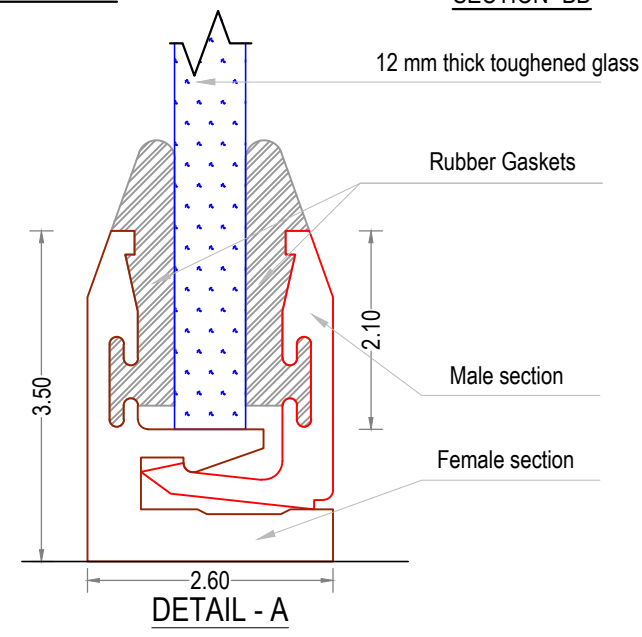
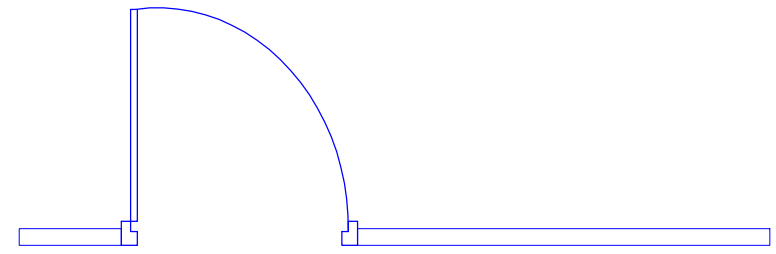
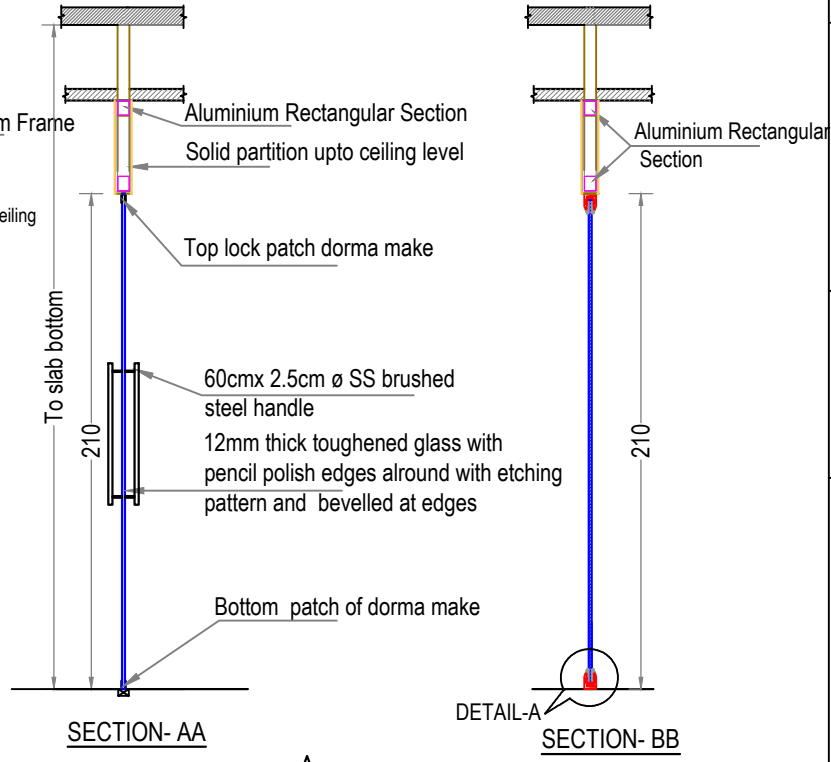
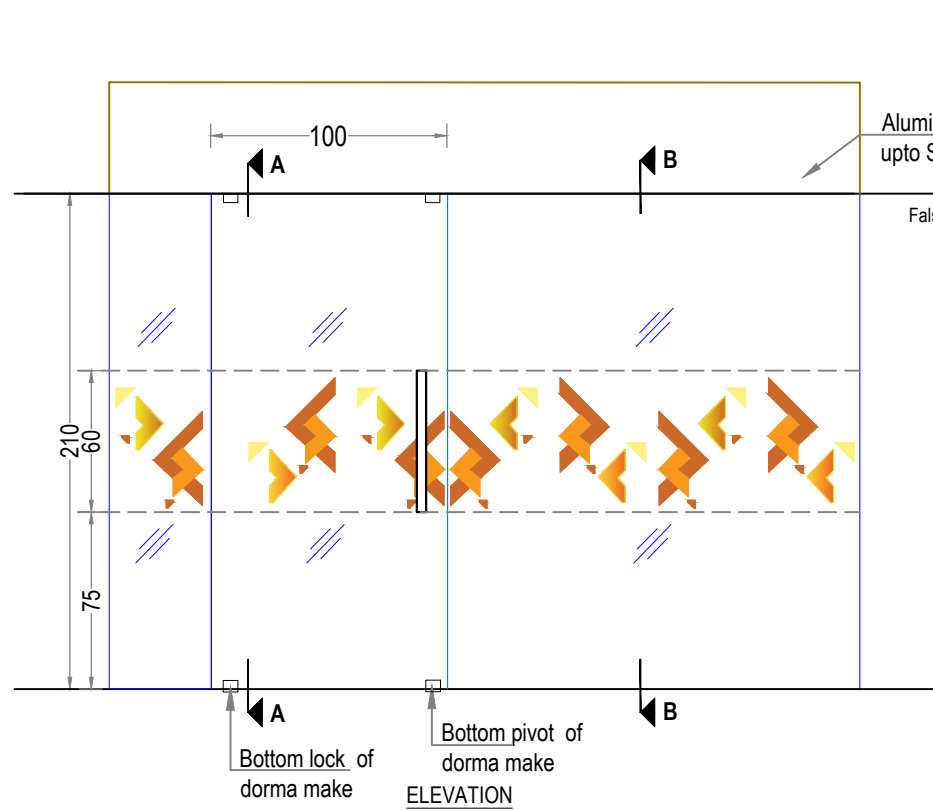
Chief Architect	Ar. K. RAMAKRISHNAN B.Sc.(Engg.), F.I.E, C.Eng(I), F.I.V.F.I.I.A.(Regd.), A.I.I.I.D
-----------------	---

Date: 06-02-2025	Drawing No.
------------------	-------------

Revision Date:	Sheet No : 04
----------------	---------------

Scale	NTS
-------	-----

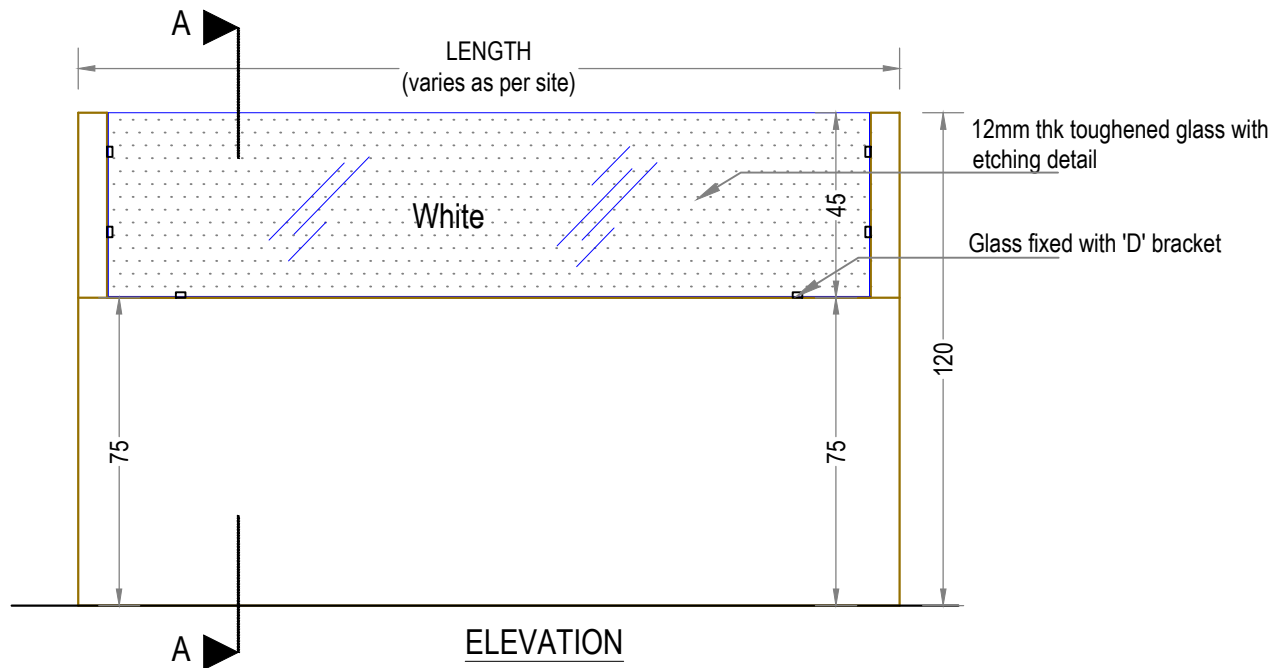
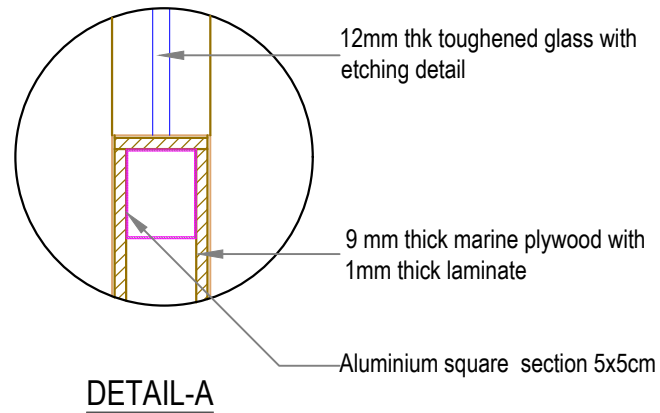
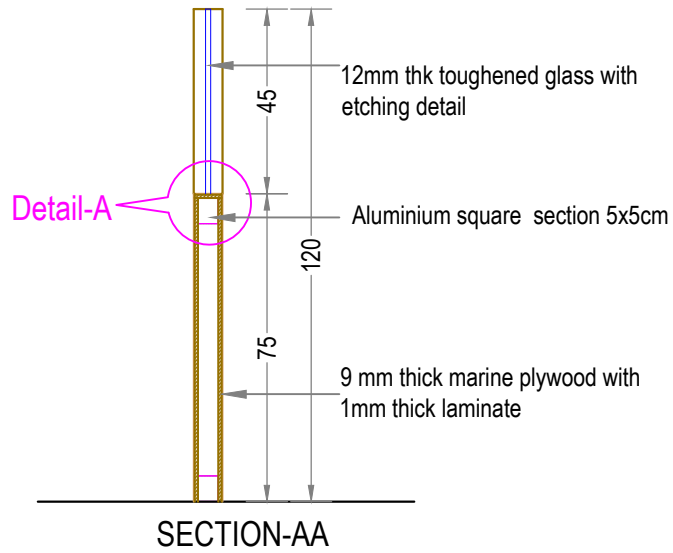
All Dimensions are in CMs.



**PROPOSED INTERIOR FURNISHING  
 FOR BANK OF BARODA  
 VADANAPALLY**

DETAILS OF :	ITEM NOS.
FULLY GLAZED PARTITION	1
FULLY GLAZED DOOR	1a

Drawn by	GINISH K G
Architect	Ar.PRAVEEN.P B. Arch,[Regd], A.I.I.A, A.I.I.I.D
Chief Architect	Ar. K. RAMAKRISHNAN B.Sc.(Engg), M.I.E, C. Eng (I), F.I.V , F.I.I.A. (Regd), A.I.I.I.D
Date: 06-02-2025	Drawing No.
Revision Date:	Sheet No: 05
	Scale NTS
	All Dimensions are in CMs.



**PROPOSED INTERIOR FURNISHING  
FOR BANK OF BARODA  
VADANAPALLY**

DETAILS OF : COUNTER PARTITION	ITEM NOS. 2
-----------------------------------	----------------

Drawn by	GINISH K G
----------	------------

Architect	Ar.PRAVEEN.P B. Arch,[Regd], A.I.I.A, A.I.I.I.D
-----------	--

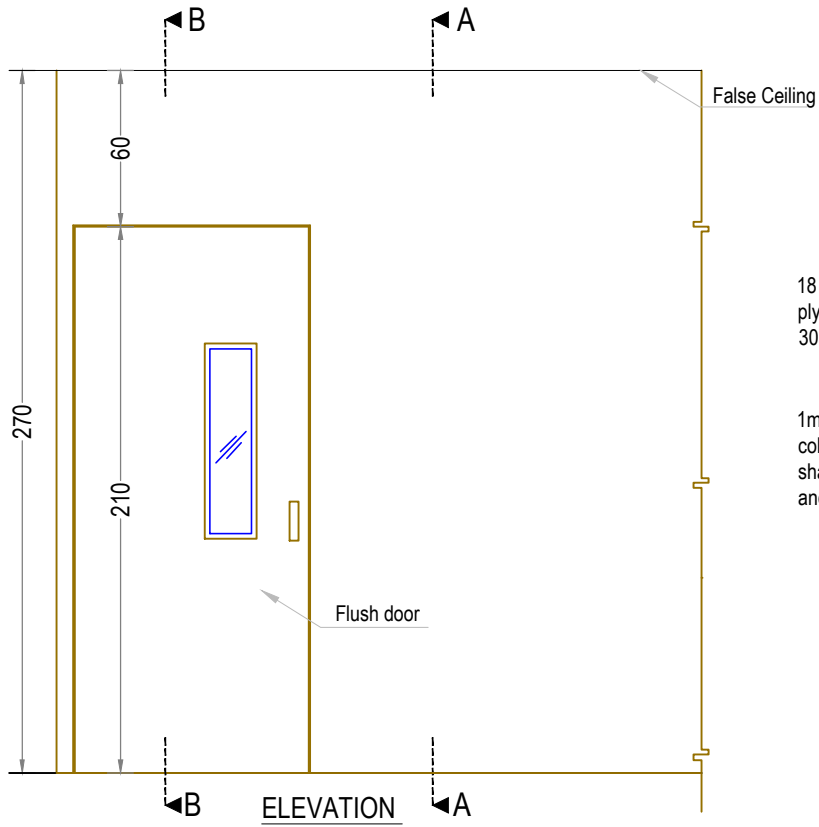
Chief Architect	Ar. K. RAMAKRISHNAN B.Sc.(Engg), M.I.E, C. Eng (I), F.I.V , F.I.I.A. (Regd), A.I.I.I.D
-----------------	--

Date: 06 -02 -2025	Drawing No.
--------------------	-------------

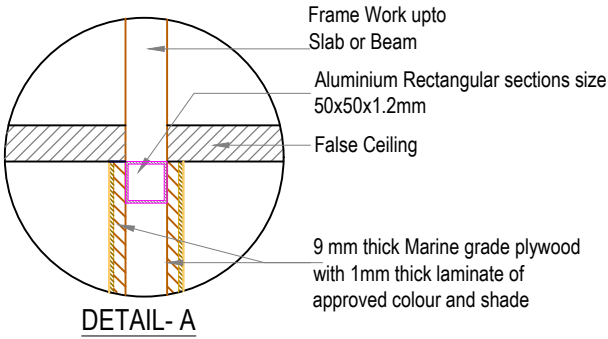
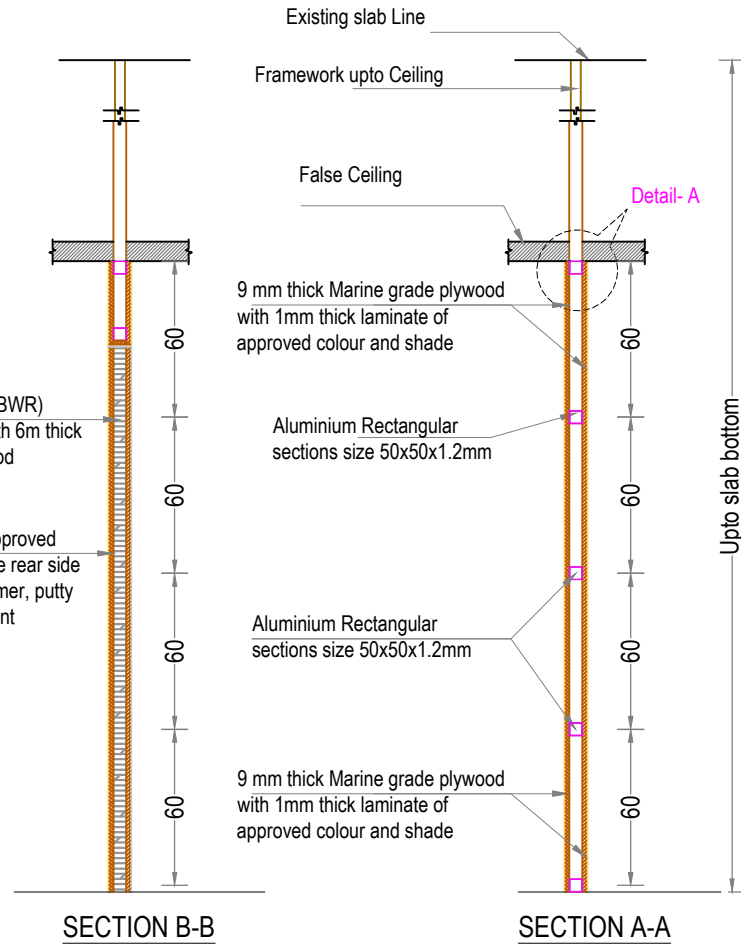
Revision Date:	Sheet No. 06
----------------	--------------

Scale	NTS
-------	-----

All Dimensions are in CMs.



18 mm thick 303 grade (BWR) plywood, sandwiched with 6m thick 303 grade (BWR) plywood  
 1mm thick laminate of approved color at front side and the rear side shall be finished with primer, putty and 2 coat of enamel paint



**PROPOSED INTERIOR FURNISHING  
 FOR BANK OF BARODA  
 VADANAPALLY**

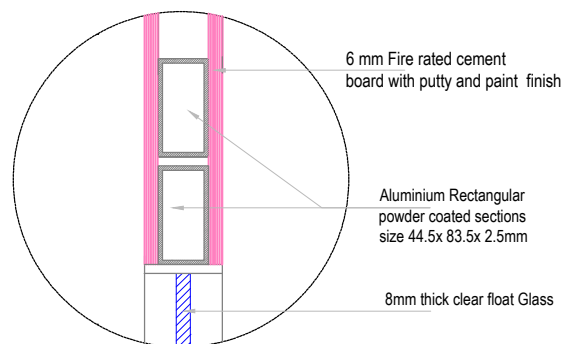
DETAILS OF :	ITEM NOS.
1. DOUBLE SKIN SOLID PARTITION	4
2. Flush door	4a

Drawn by: GINISH K G

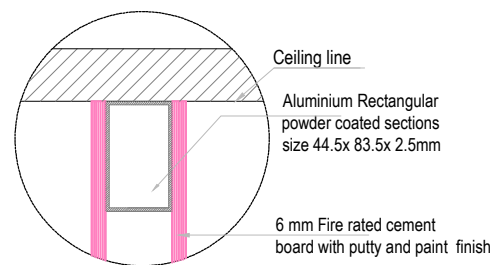
Architect: Ar.PRAVEEN.P  
 B. Arch [Regd], A.I.I.A, A.I.I.I.D

Chief Architect: Ar. K. RAMAKRISHNAN  
 B.Sc.(Engg.), F.I.E, C.Eng(I), F.I.V.F.I.I.A (Regd.), A.I.I.I.D

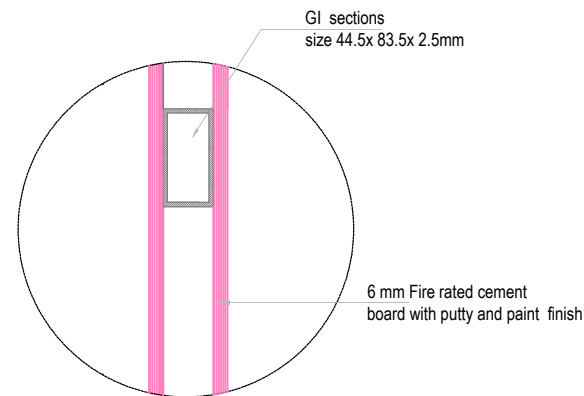
Date: 06 -02 -2025	Drawing No.
Revision Date:	Sheet No: <b>07</b>
	Scale: NTS
	All Dimensions are in CMs.



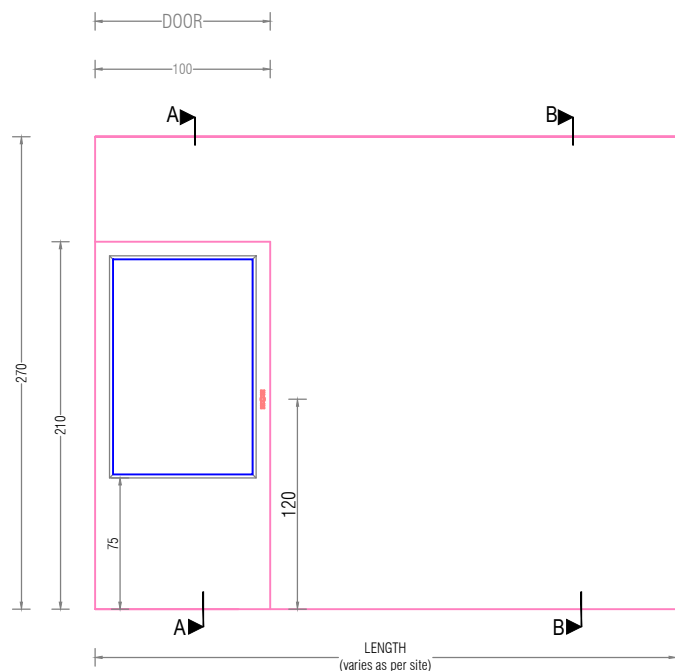
**DETAIL - A**



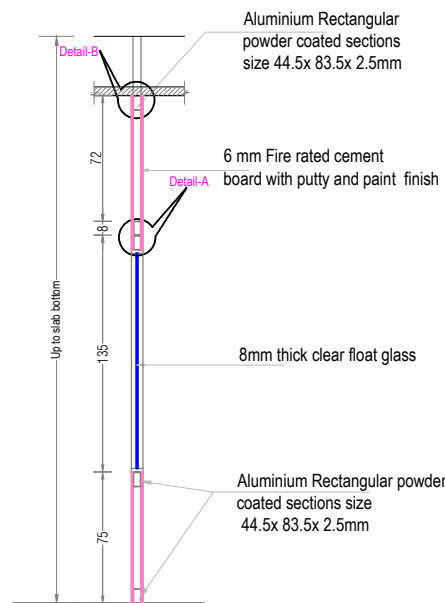
**DETAIL - B**



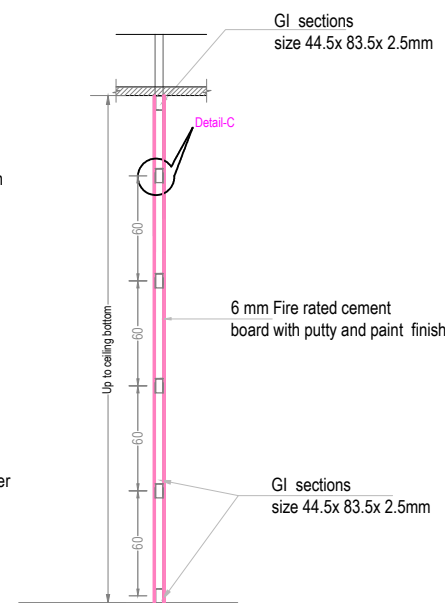
**DETAIL - C**



**ELEVATION**



**SECTION-AA**



**SECTION-BB**

**PROPOSED INTERIOR FURNISHING  
FOR BANK OF BARODA VADANAPALLY**

DETAILS OF :	ITEM Nos.
1.FIRE RATED CEMENT PARTITION	5
2. PARTLY GLAZED DOOR	5a

Drawn by	GINISH K G
----------	------------

Architect	Ar.PRAVEEN.P B. Arch.[Reg], A.I.I.A, A.I.I.I.D
-----------	---

Chief Architect	Ar. K. RAMAKRISHNAN B.Sc.(Engg), M.I.E, C. Eng (I), F.I.V , F.I.I.A. (Regd), A.I.I.I.D
-----------------	--

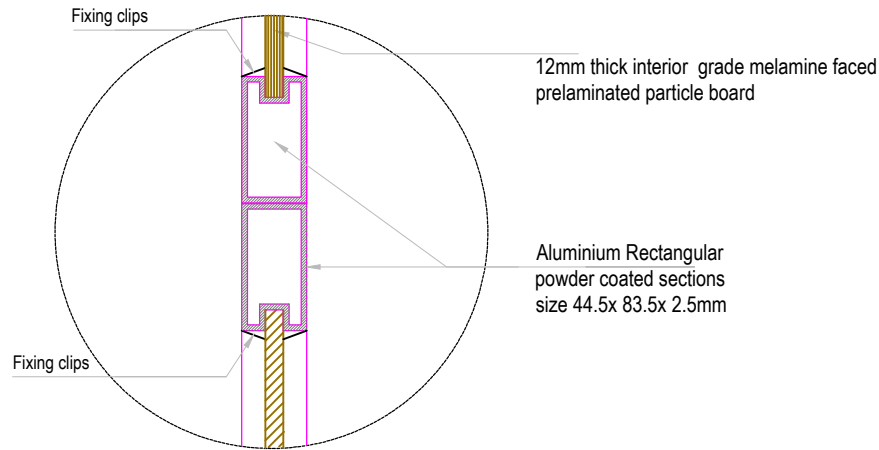
Date: 06 -02 -2025	Drawing No.
--------------------	-------------

Revision Date:	Sheet No. <b>08</b>
----------------	---------------------

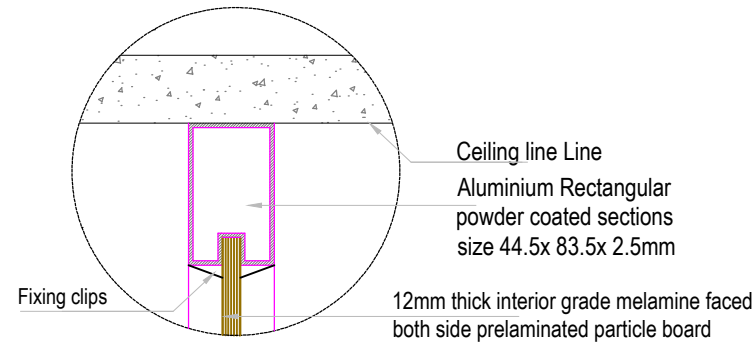
Scale	NTS
-------	-----

All Dimensions are in CMs.

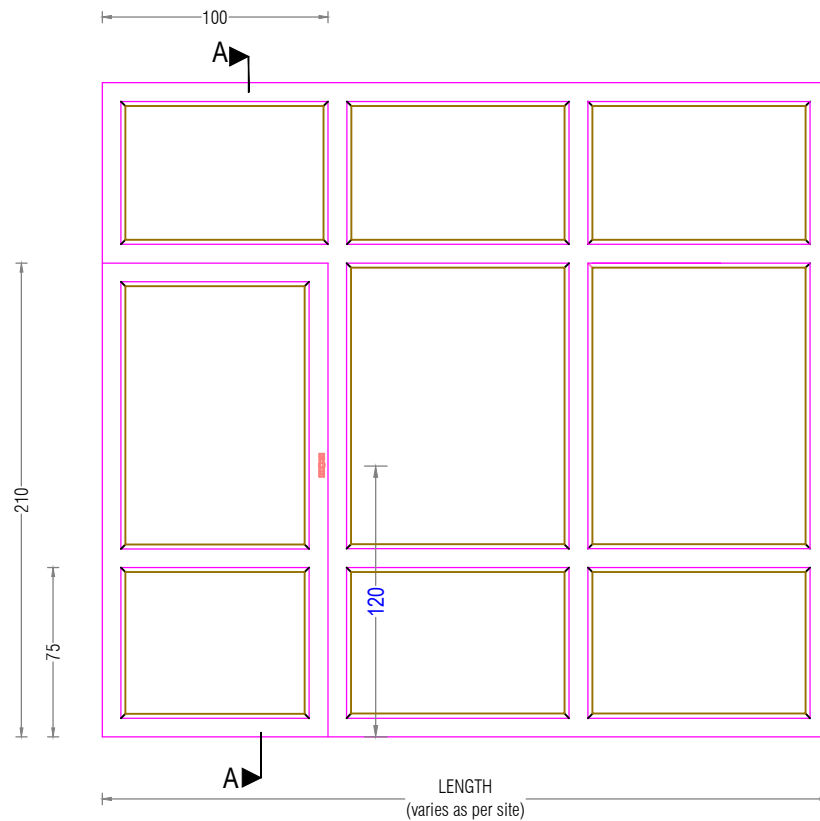




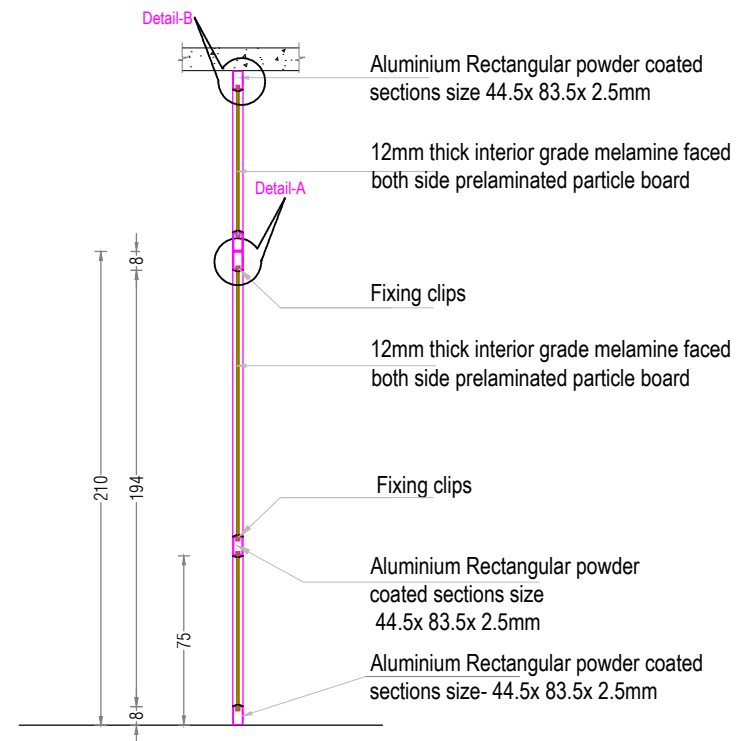
**DETAIL - A**



**DETAIL - B**



**ELEVATION**



**SECTION-AA**

**PROPOSED INTERIOR FURNISHING  
FOR BANK OF BARODA  
VADANAPALLY**

DETAILS OF :	ITEM Nos.
1. ALUMINIUM DOOR	6a
2. ALUMINIUM PARTITION	6

Drawn by	GINISH K G
----------	------------

Architect	Ar.PRAVEEN.P B. Arch.[Reg], A.I.I.A, A.I.I.I.D
-----------	---

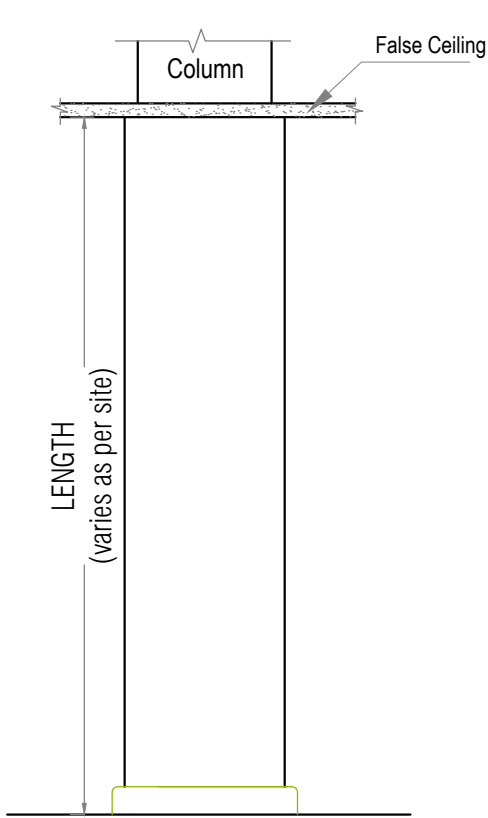
Chief Architect	Ar. K. RAMAKRISHNAN B.Sc.(Engg), M.I.E, C. Eng (I), F.I.V, F.I.I.A. (Regd), A.I.I.I.D
-----------------	---

Date: 06-02-2025	Drawing No.
------------------	-------------

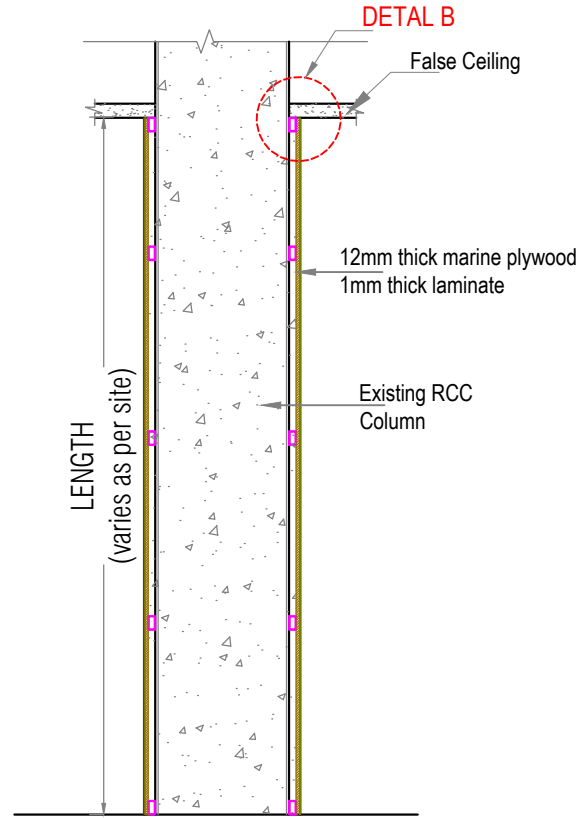
Revision Date:	Sheet No. 09
----------------	--------------

Scale	NTS
-------	-----

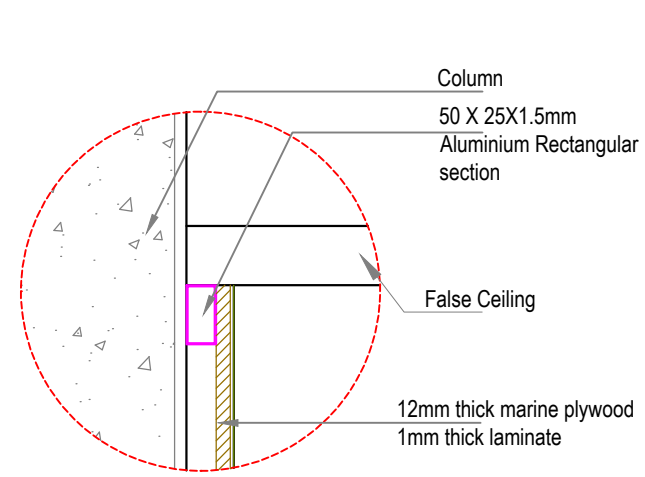
All Dimensions are in CMs.	
----------------------------	--



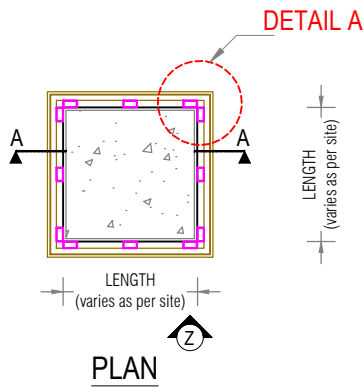
**ELEVATION Z**



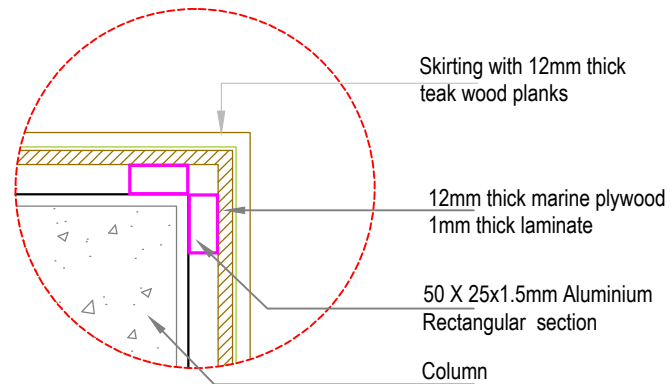
**SECTION A-A**



**DETAIL B**



**PLAN**



**DETAIL A**

**PROPOSED INTERIOR FURNISHING  
 FOR BANK OF BARODA  
 VADANAPALLY**

DETAILS OF :	ITEM NOS.
COLUMN PANELING	7

Drawn by GINISH K G

Architect  
 Ar.PRAVEEN.P  
 B.Arch,[Regd], A.I.I.A, A.I.I.I.D

Chief Architect  
 Ar. K. RAMAKRISHNAN  
 B.Sc.(Engg), F.I.E, C. Eng (I),  
 F.I.V, J.I.I.D, F.I.I.A. (Regd)

Date: 06 -02 -2025 Drawing No.

Revision Date: Sheet No: 10

Scale NTS

All Dimensions are in Cms.



**ENARC CONSULTANTS**

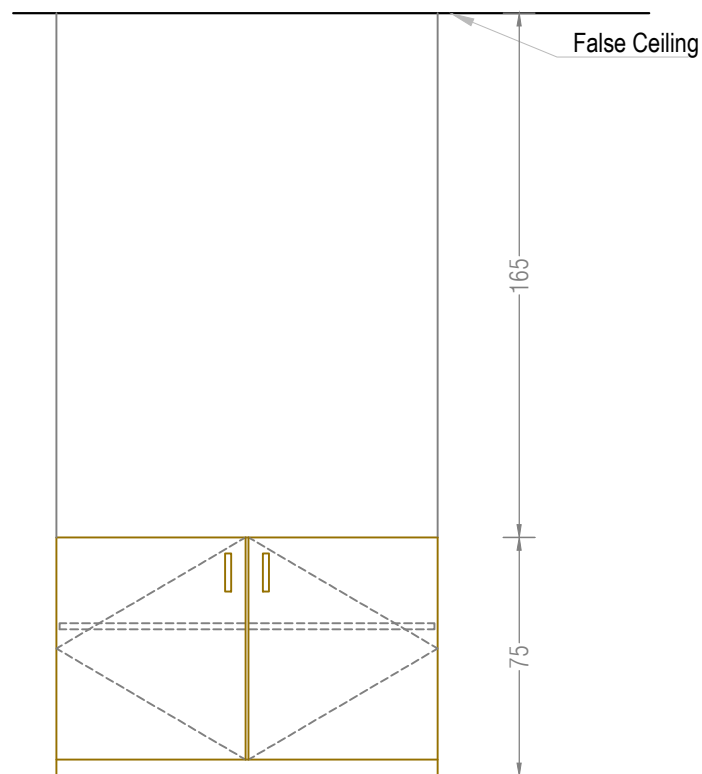
ARCHITECTS & ENGINEERS

M. G. Road, Thrissur - 1.

Tel. : (+91 487) 2441901

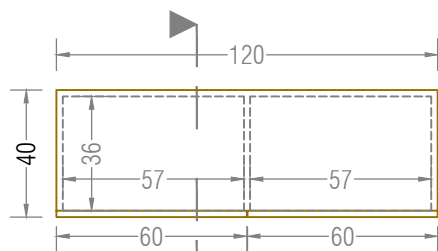
Fax : (+91 487) 2442011

E-mail : office@enarc.net.in



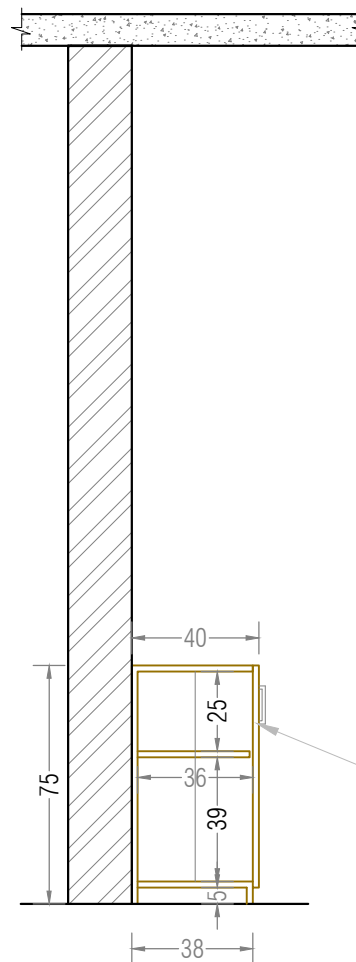
**ELEVATION**

A



**PLAN**

A



**SECTION- AA**

19mm Thick Marine Plywood  
with Externally 1 mm Thick  
Laminate and Internal Laminate  
0.8mm Thick.

**PROPOSED INTERIOR FURNISHING  
FOR BANK OF BARODA  
VADANAPALLY**

DETAILS OF :	ITEM NOS.
CUPBOARD 75 CM HEIGHT	8

Drawn by GINISH K G

Architect Ar.PRAVEEN.P  
B. Arch,[Regd], A.I.I.A, A.I.I.I.D

Chief Architect  
  
Ar.K. RAMAKRISHNAN  
B.Sc.(Engg.), F.I.E, C.Eng(I),  
F.I.V.F.I.I.A.(Regd.), A.I.I.I.D

Date: 06 -02 -2025 Drawing No.

Revision Date: Sheet No: 11

Scale NTS

All Dimensions are in CMs.

**PROPOSED INTERIOR FURNISHING  
FOR BANK OF BARODA  
VADANAPALLY**

**CASH CABIN**

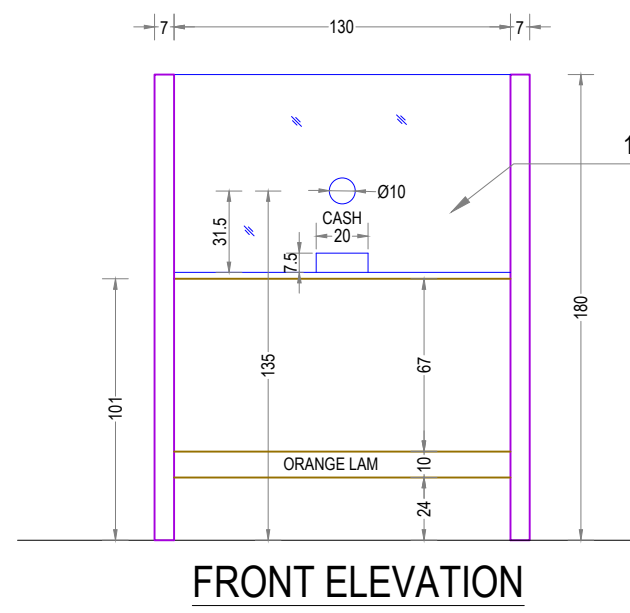
DETAILS OF :	ITEM NOS.
1. TELLER CUBICAL	11
2. SIDE PANEL FOR TELLER CUBICAL	11a
3. TELLER DOOR	3

Drawn by : GINISH K G

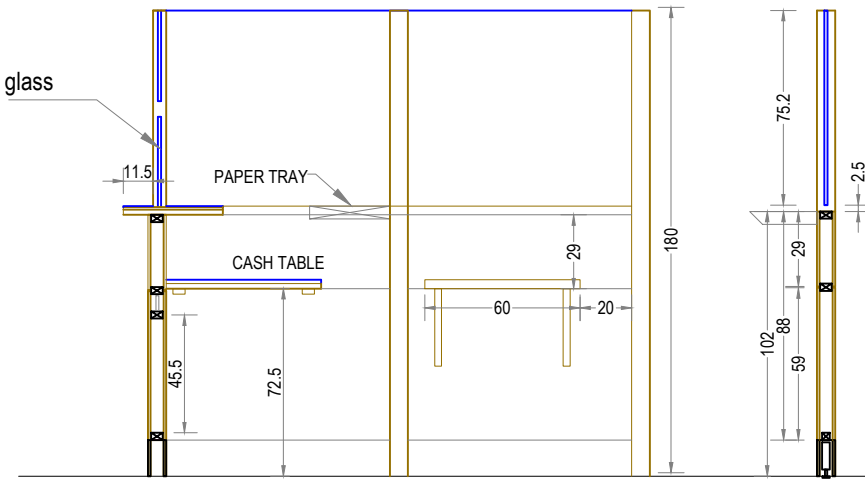
Architect : Ar.PRAVEEN.P  
B. Arch.[Reg], A.I.I.A, A.I.I.I.D

Chief Architect :  
  
Ar. K. RAMAKRISHNAN  
B.Sc.(Engg), F.I.E, C. Eng (I),  
F.I.V, F.I.I.A. (Regd), A.I.I.I.D

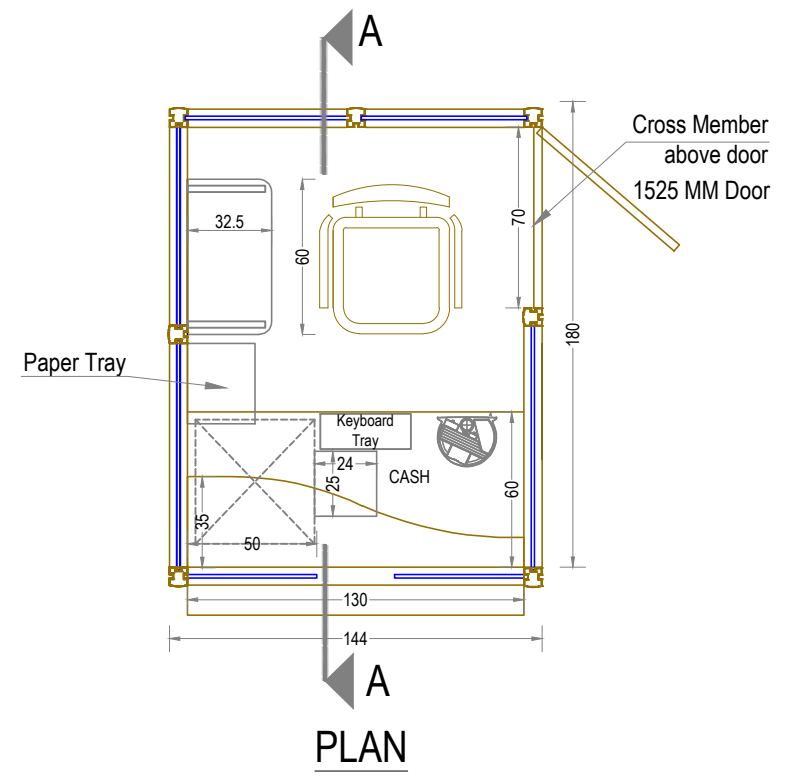
Date: 06 -02 -2025	Drawing No.
Revision Date:	Sheet No : 12
	Scale : NTS
	Note: All Dimensions are in CMs.



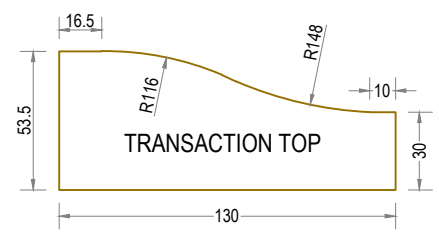
**FRONT ELEVATION**



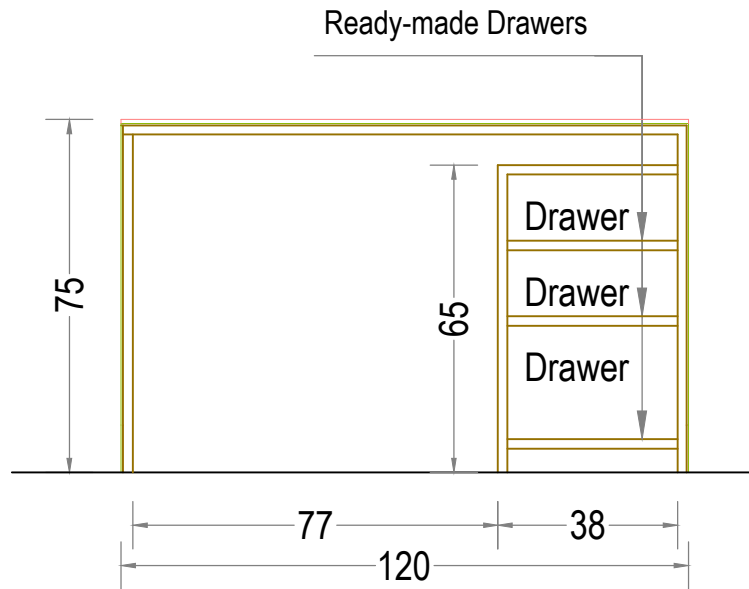
**SECTION AA**



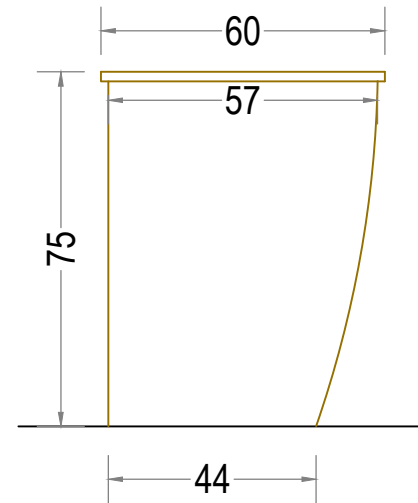
**PLAN**



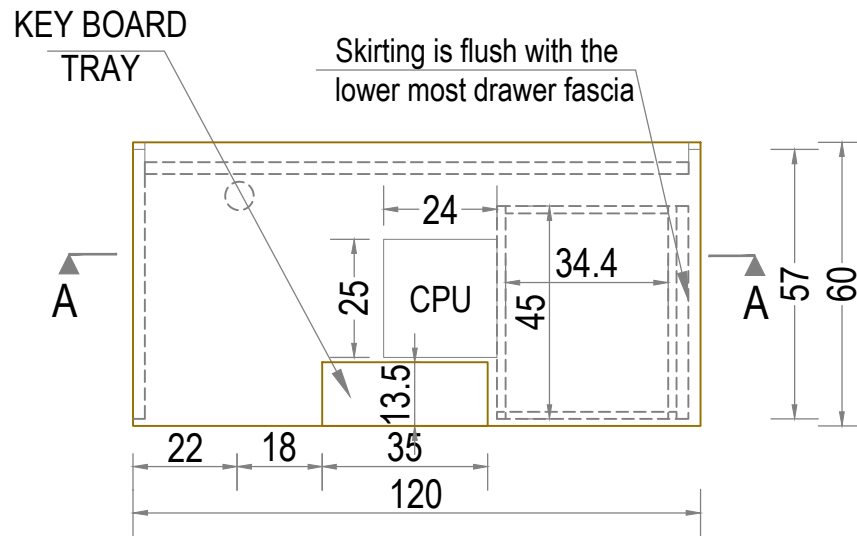




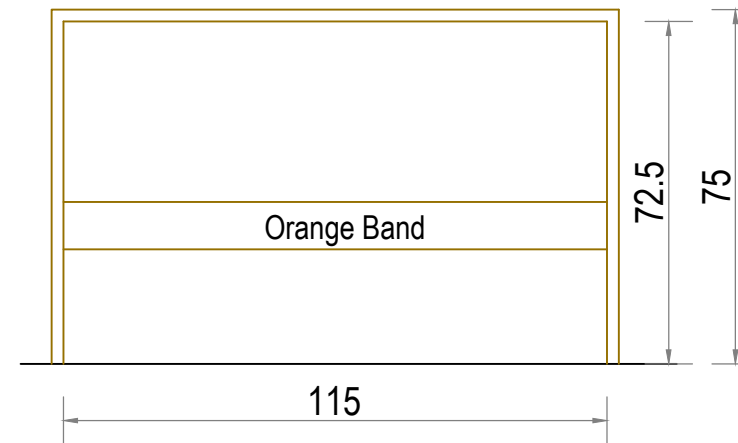
SECTION- AA



SIDE ELEVATION



P L A N



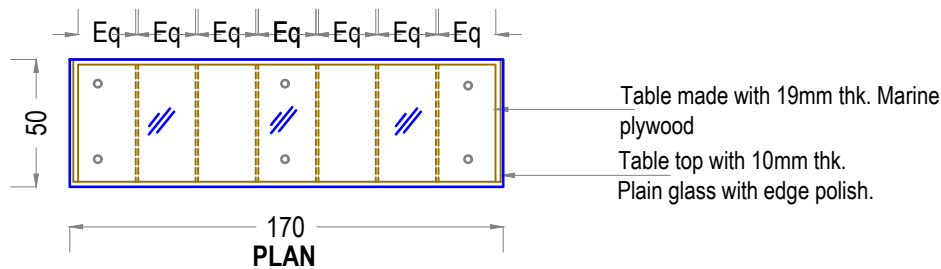
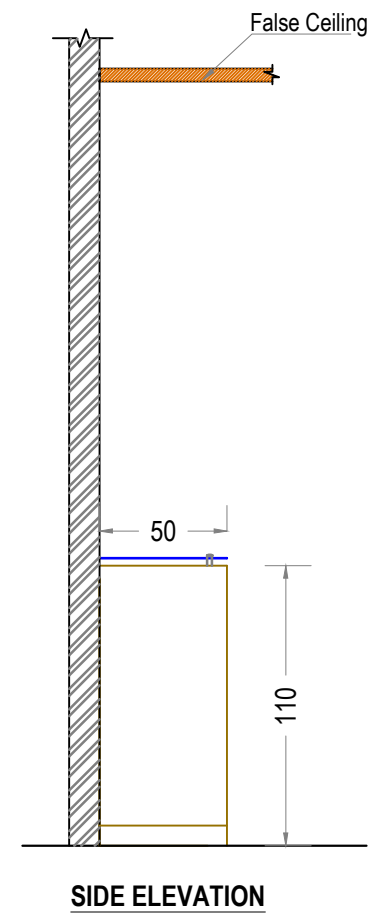
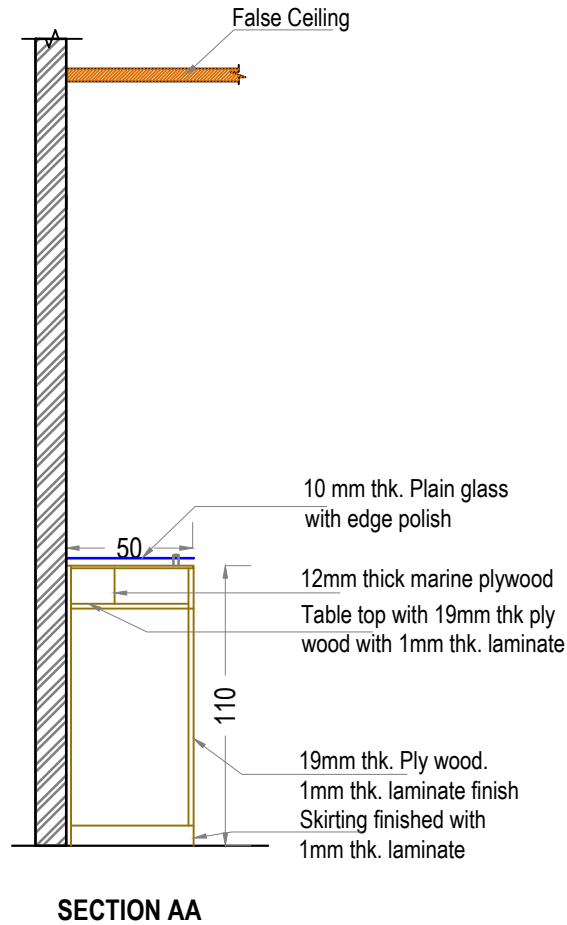
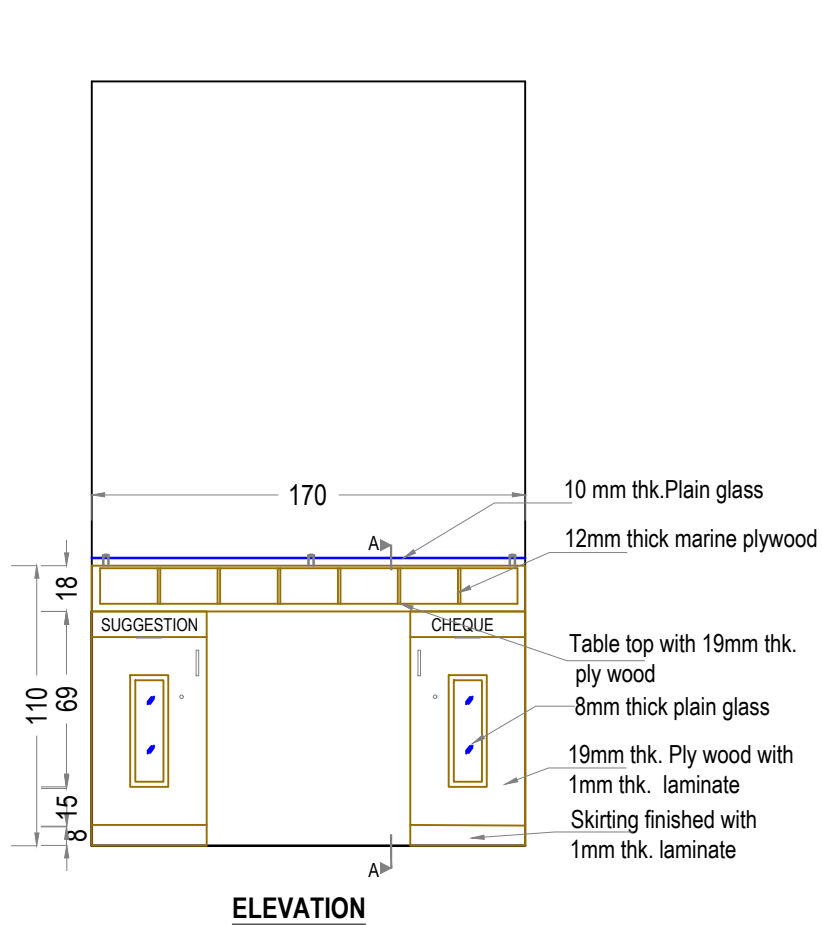
FRONT ELEVATION

**PROPOSED INTERIOR FURNISHING  
FOR BANK OF BARODA  
VADANAPALLY**

DETAILS OF :	ITEM NOS.
LINEAR WORKSTATION 120X60X75CM	12

Drawn by	GINISH K G
Architect	Ar.PRAVEEN.P B. Arch,[Regd], A.I.I.A, A.I.I.I.D
Chief Architect	Ar.K. RAMAKRISHNAN B.Sc.(Engg.), F.I.E, C.Eng(I), F.I.V.F.I.I.A.(Regd.), A.I.I.I.D

Date: 06 -02 -2025	Drawing No.
Revision Date:	Sheet No: 14
	Scale NTS
All Dimensions are in CMs.	



**PROPOSED INTERIOR FURNISHING  
FOR BANK OF BARODA  
VADANAPALLY**

DETAILS OF :	ITEM NOS.
WRITING DESK 170X50X110 CM	14

Drawn by: GINISH K G

Architect: Ar.PRAVEEN.P  
B. Arch.[Regd], A.I.I.A, A.I.I.I.D

Chief Architect: Ar. K. RAMAKRISHNAN  
B.Sc.(Engg), F.I.E, C. Eng (I),  
F.I.V ,I.I.I.D ,F.I.I.A. (Regd)

Date: 06 -02 -2025 Drawing No.

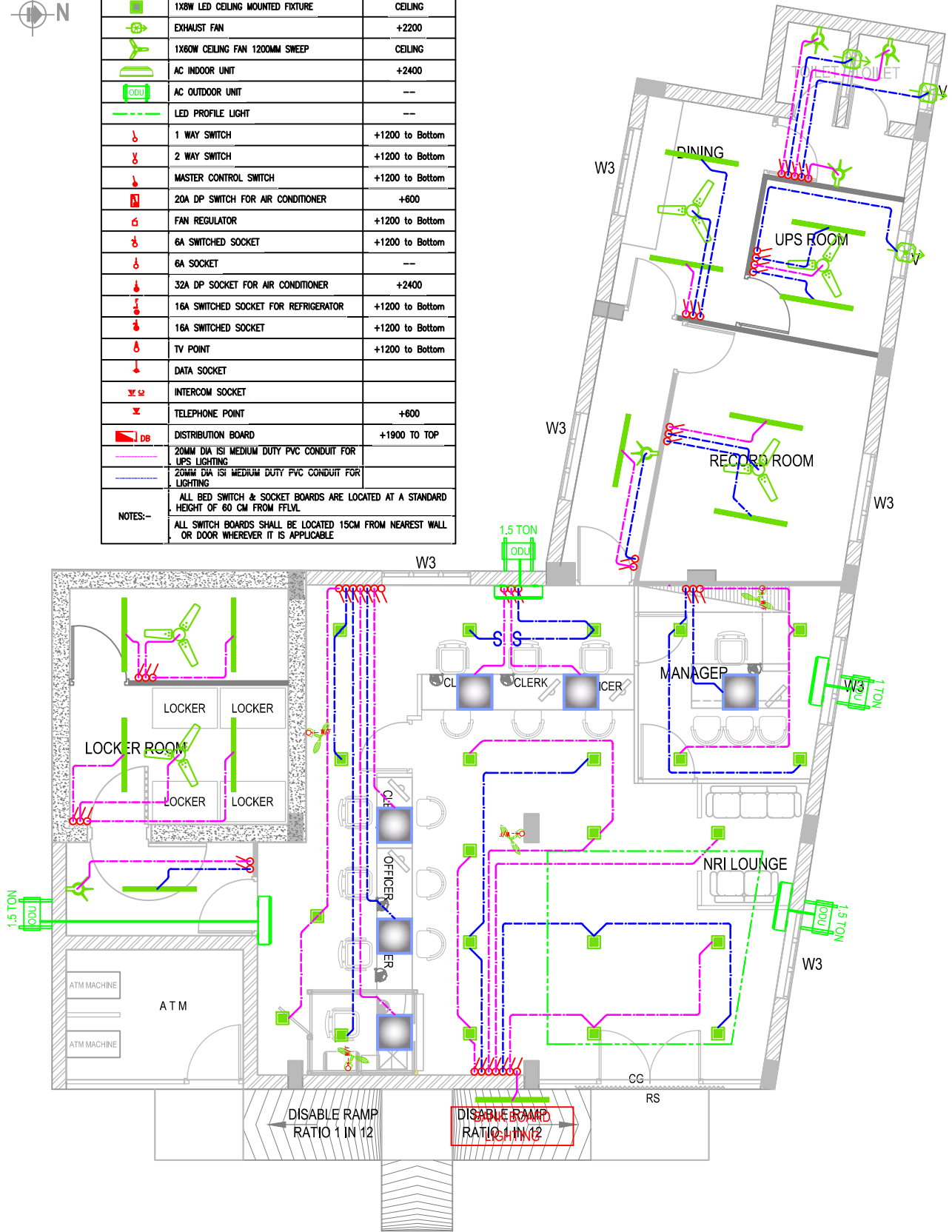
Revision Date: Sheet No: 15

Scale: NTS

All Dimensions are in CMs.



FIXTURE	DESCRIPTION	HEIGHT FROM FFLVL TO CENTER
	1x18W WALL BRACKET LIGHT	+2400
	1x6W LED CEILING MOUNTED LIGHT	CEILING
	1x8W LED CEILING MOUNTED FIXTURE	CEILING
	EXHAUST FAN	+2200
	1X80W CEILING FAN 1200MM SWEEP	CEILING
	AC INDOOR UNIT	+2400
	AC OUTDOOR UNIT	--
	LED PROFILE LIGHT	--
	1 WAY SWITCH	+1200 to Bottom
	2 WAY SWITCH	+1200 to Bottom
	MASTER CONTROL SWITCH	+1200 to Bottom
	20A DP SWITCH FOR AIR CONDITIONER	+600
	FAN REGULATOR	+1200 to Bottom
	6A SWITCHED SOCKET	+1200 to Bottom
	6A SOCKET	--
	32A DP SOCKET FOR AIR CONDITIONER	+2400
	16A SWITCHED SOCKET FOR REFRIGERATOR	+1200 to Bottom
	16A SWITCHED SOCKET	+1200 to Bottom
	TV POINT	+1200 to Bottom
	DATA SOCKET	
	INTERCOM SOCKET	
	TELEPHONE POINT	+600
	DISTRIBUTION BOARD	+1900 TO TOP
	20MM DIA ISI MEDIUM DUTY PVC CONDUIT FOR UPS LIGHTING	
	20MM DIA ISI MEDIUM DUTY PVC CONDUIT FOR LIGHTING	
NOTES:-	ALL BED SWITCH & SOCKET BOARDS ARE LOCATED AT A STANDARD HEIGHT OF 60 CM FROM FFLVL. ALL SWITCH BOARDS SHALL BE LOCATED 15CM FROM NEAREST WALL OR DOOR WHEREVER IT IS APPLICABLE	



**ENARC CONSULTANTS**  
 ARCHITECTS AND ENGINEERS  
 M. G. Road, Thrissur - 1.  
 Tel. : +91 (487) 2441901  
 E-mail : office@enarc.net.in

**PROPOSED INTERIOR FURNISHING FOR BANK OF BARODA VADANAPALLY**  
**ELECTRICAL LIGHTING LAYOUT**

Drawn By **AMAL JAMES**  
 Architect  
 Ar.PRAVEEN.P  
 B. Arch.[Reg], A.I.I.A, A.I.I.I.D

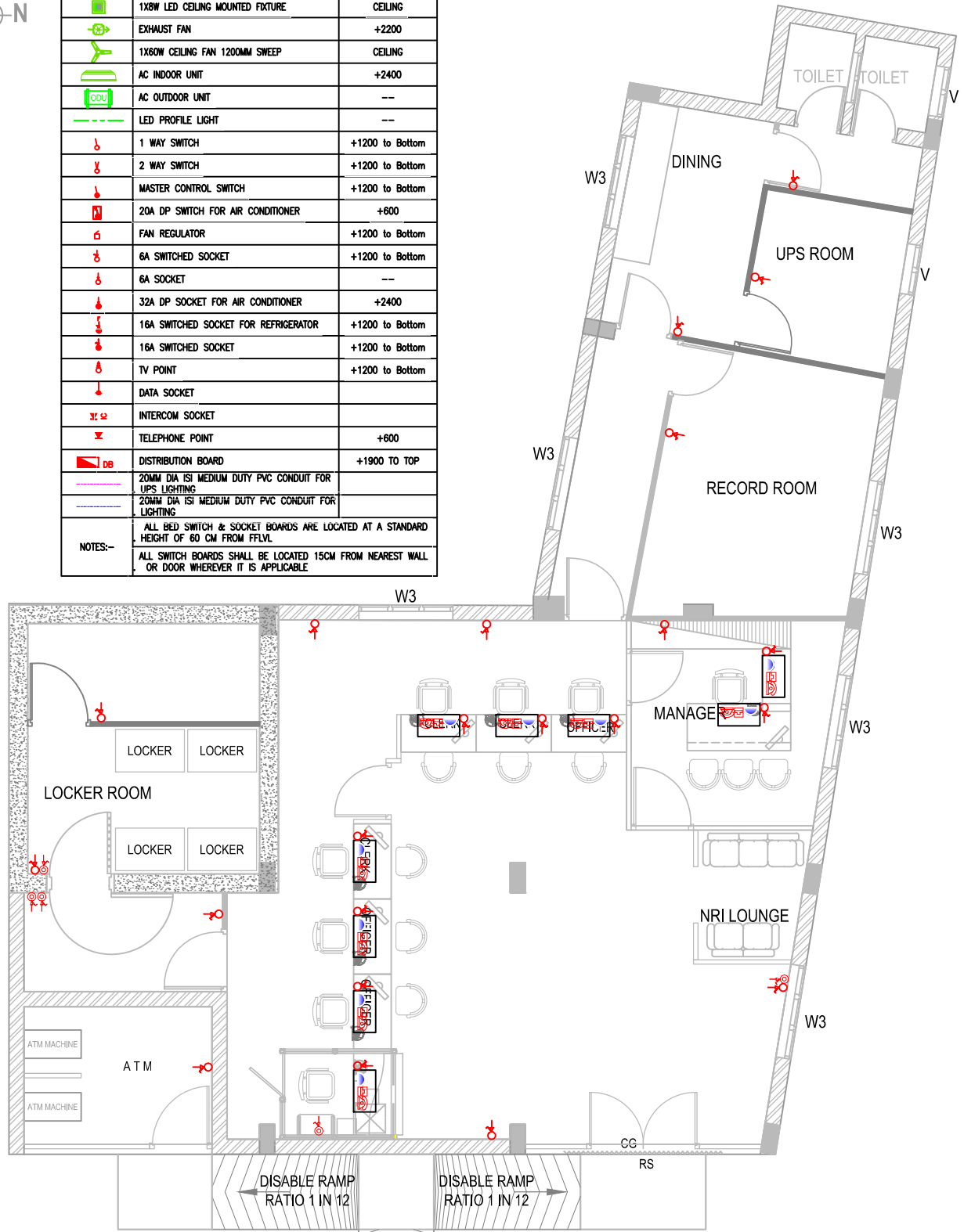
Chief Architect  
 Ar. K. RAMAKRISHNAN  
 B.Sc.(Engg), F.I.E, C. Eng (I),  
 F.I.V, I.I.I.D, F.I.I.A. (Regd),

Date : 06-02-2025  
 Revision Date:  
 Sheet No : 03  
 Scale : N T S  
 All Dimensions are in CMs.





FIXTURE	DESCRIPTION	HEIGHT FROM FFLVL TO CENTER
	1x18W WALL BRACKET LIGHT	+2400
	1x6W LED CEILING MOUNTED LIGHT	CEILING
	1X8W LED CEILING MOUNTED FIXTURE	CEILING
	EXHAUST FAN	+2200
	1X60W CEILING FAN 1200MM SWEEP	CEILING
	AC INDOOR UNIT	+2400
	AC OUTDOOR UNIT	--
	LED PROFILE LIGHT	--
	1 WAY SWITCH	+1200 to Bottom
	2 WAY SWITCH	+1200 to Bottom
	MASTER CONTROL SWITCH	+1200 to Bottom
	20A DP SWITCH FOR AIR CONDITIONER	+600
	FAN REGULATOR	+1200 to Bottom
	6A SWITCHED SOCKET	+1200 to Bottom
	6A SOCKET	--
	32A DP SOCKET FOR AIR CONDITIONER	+2400
	16A SWITCHED SOCKET FOR REFRIGERATOR	+1200 to Bottom
	16A SWITCHED SOCKET	+1200 to Bottom
	TV POINT	+1200 to Bottom
	DATA SOCKET	
	INTERCOM SOCKET	
	TELEPHONE POINT	+600
	DISTRIBUTION BOARD	+1900 TO TOP
	20MM DIA ISI MEDIUM DUTY PVC CONDUIT FOR UPS LIGHTING	
	20MM DIA ISI MEDIUM DUTY PVC CONDUIT FOR LIGHTING	
NOTES:-	ALL BED SWITCH & SOCKET BOARDS ARE LOCATED AT A STANDARD HEIGHT OF 80 CM FROM FFLVL	
	ALL SWITCH BOARDS SHALL BE LOCATED 15CM FROM NEAREST WALL OR DOOR WHEREVER IT IS APPLICABLE	



**NETWORK RACK, PASS BOOK M/C CDM POWERPLUG SHALL FIXED AT SUITABLE LOCATION**

**ENARC CONSULTANTS**  
**ARCHITECTS AND ENGINEERS**  
 M. G. Road, Thrissur - 1.  
 Tel. : +91 (487) 2441901  
 E-mail : office@enarc.net.in

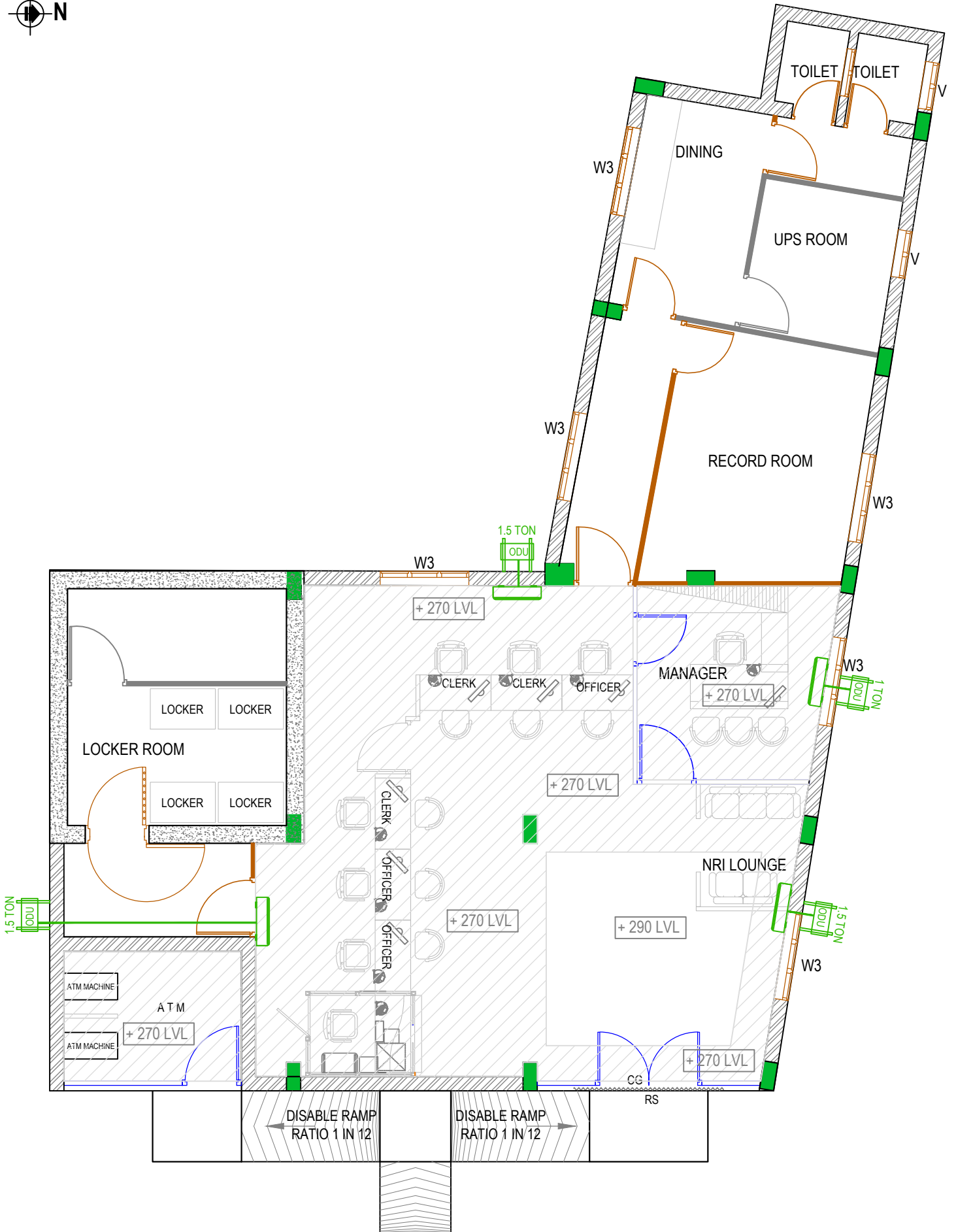
**PROPOSED INTERIOR FURNISHING FOR BANK OF BARODA VADANAPALLY**

**ELECTRICAL POWER LAYOUT**

Drawn By AMAL JAMES  
 Architect Ar.PRAVEEN.P  
 B. Arch.[Reg], A.I.I.A, A.I.I.I.D

Chief Architect  
 Ar. K. RAMAKRISHNAN  
 B.Sc.(Engg), F.I.E, C. Eng (I),  
 F.I.V, I.I.I.D, F.I.I.A. (Regd),

Date : 06-02-2025  
 Revision Date:  
 Sheet No : 03  
 Scale : N T S  
 All Dimensions are in CMs.



**ENARC CONSULTANTS**  
**ARCHITECTS AND ENGINEERS**  
 M. G. Road, Thrissur - 1.  
 Tel. : +91 (487) 2441901  
 Fax : +91 (487) 2442011  
 E-mail : office@enarc.net.in

**PROPOSED INTERIOR  
 FURNISHING FOR BANK OF  
 BARODA VADANAPALLY**

**AC LAYOUT**

Drawn By

GINISH K G

Architect

Ar.PRAVEEN.P  
 B. Arch.[Reg], A.I.I.A, A.I.I.I.D

Chief Architect

Ar. K. RAMAKRISHNAN  
 B.Sc.(Engg), F.I.E, C. Eng (I),  
 F.I.V, I.I.I.D, F.I.I.A. (Regd),

Date : 21-01-2025

Revision Date: 22-01-2025  
 23-01-2025  
 05-02-2025

Sheet No : 01

Scale : N T S

All Dimensions are in Cms.